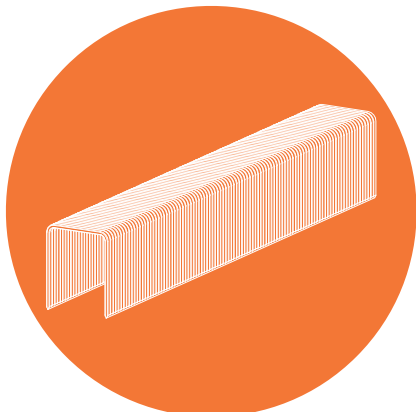
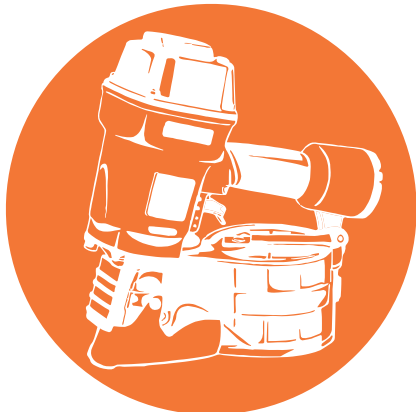


Unicatch®

Fastening Systems



An ISO 9002 & ICC Certified Manufacturing Facility!

UNICATCH INDUSTRIAL CO., LTD.

An ISO 9002 & ICC Certified Manufactureing Facility

U.S. Warehouses

L.A. Warehouse

10235 Painter Ave.,
Santa Fe Springs, CA 90670

Tacoma Warehouse

3727 112th St. S.W.
Tacoma, WA 98499

GENERAL SALES POLICY, TERMS AND CONDITIONS

1. **TERMS OF PAYMENT:** Net 30 days.
Past due accounts will be charged 1.5% interest per day.
2. **RESTOCKING CHARGE:** 15% restocking fee will apply if over 90 days from the invoice date to the date of return.
3. **RETURNS:** Any materials shipped as ordered will not be accepted for return without authorization. We issue RGA# after item(s) is returned and inspected.
4. **CLAIMS & SHORTAGE:** All claims for shortages or damages must be reported within ten (10) days from the date of shipment.
5. **FREIGHT TERMS:** All Sales are FOB our dock.
6. **PACKAGING:** All material sold in full cartons only.
7. **WEIGHTS:** Weights shown are approximate.
8. **PRICES:** Prices subject to change without notice. All orders will be invoiced at price in effect at time of shipment.
9. **BACK ORDERS:** We do not automatically generate back order. Back orders will only be accepted if material is enroute. Back orders will be priced at the time of shipment.
10. **SPECIALS:** All material in this catalogue and other materials not shown may be ordered direct from factory.
Call us for more information for prices and availabilities.

FINISH NAILS

15 Gauge Angle Finish Nails DA Type

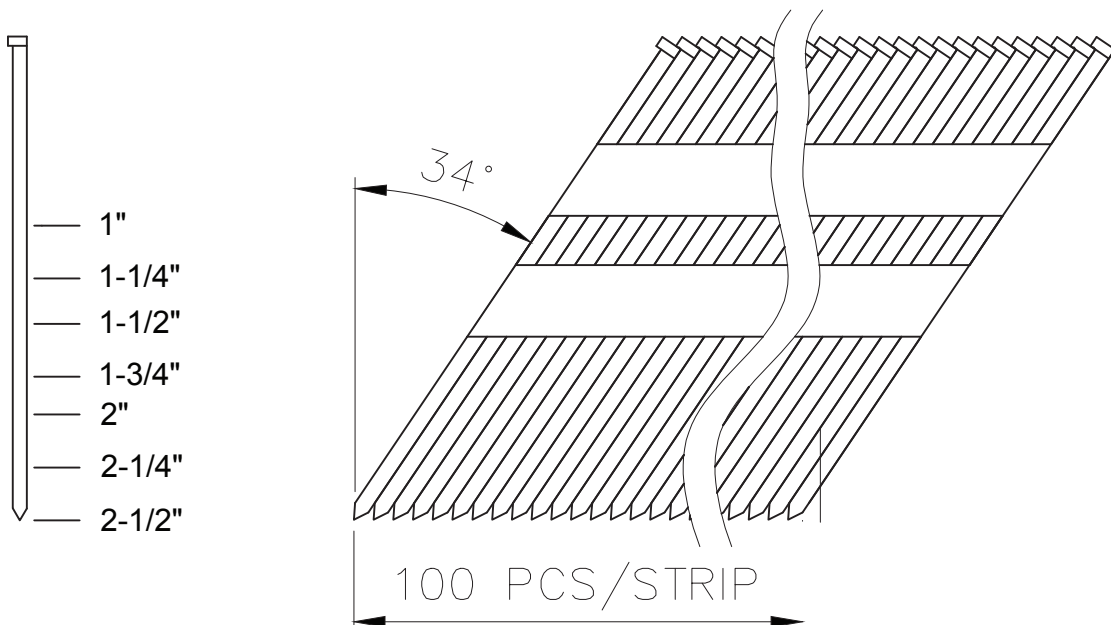
Use with the following UNICATCH tools: UNDA64

Interchangeable with: Hitachi, Senco, Porter-Cable, Fasco, Max, Makita & Duo-Fast

ITEM#	DESC.	LENGTH	WT/CTN (LBS)	M/BX	BXS/CTN	PLT Q'TY (BY CARTONS)	LIST PRICE	
							PER/M	PER/CTN
Plain Finish								
84661	UDA13	1"	21	4	4	128	\$5.44	\$87.00
84667	UDA15	1-1/4"	24	4	4	112	\$5.75	\$92.00
84673	UDA17	1-1/2"	29	4	4	80	\$6.94	\$111.00
84679	UDA19	1-3/4"	32	4	4	80	\$8.13	\$130.00
84685	UDA21	2"	37	4	4	64	\$9.00	\$144.00
84688	UDA23	2-1/4"	20	4	2	96	\$11.88	\$95.00
84694	UDA25	2-1/2"	23	4	2	96	\$14.00	\$112.00
Galvanized Finish								
84668	UDA15G	1-1/4"	24	4	4	112	\$7.25	\$116.00
84674	UDA17G	1-1/2"	29	4	4	80	\$8.44	\$135.00
84680	UDA19G	1-3/4"	32	4	4	80	\$9.06	\$145.00
84686	UDA21G	2"	37	4	4	64	\$10.00	\$160.00
84695	UDA25G	2-1/2"	23	4	2	96	\$13.75	\$110.00

Actual Size

15GA



****Stainless steel available on special order. Please call for quote and availability****

BRADS

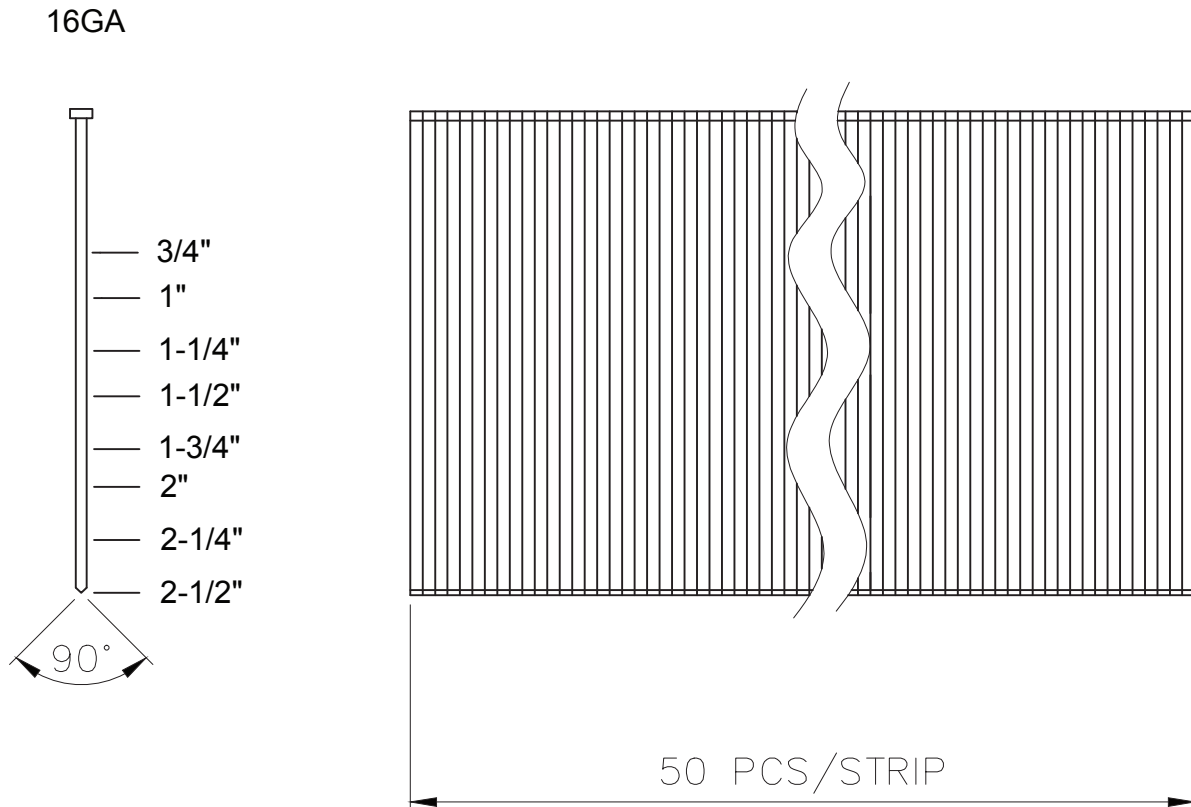
16 Gauge Brad Nails

Use with the following UNICATCH tools: UB1650 & UB1664

Interchangeable with: Bostitch, Hitachi, Senco, Porter-Cable, Fasco & Max

ITEM#	DESC.	LENGTH	WT/CTN (LBS)	M/BX	BXS/CTN	PLT Q'TY (BY CARTONS)	LIST PRICE	
							PER/M	PER/CTN
84919	T20	3/4"	45	2.5	24	60	\$2.50	\$150.00
84922	T25	1"	58	2.5	24	40	\$2.70	\$162.00
84925	T32	1-1/4"	69	2.5	24	32	\$3.07	\$184.00
84927	T38	1-1/2"	40	2.5	12	60	\$3.23	\$97.00
84930	T45	1-3/4"	47	2.5	12	68	\$3.47	\$104.00
84932	T50	2"	54	2.5	12	40	\$3.93	\$118.00
84934	T57	2-1/4"	30	2.5	6	80	\$4.20	\$63.00
84936	T64	2-1/2"	33	2.5	6	90	\$4.60	\$69.00

Actual Size



****Stainless steel available on special order. Please call for quote and availability****

BRADS

18 Gauge Slight Head Brads

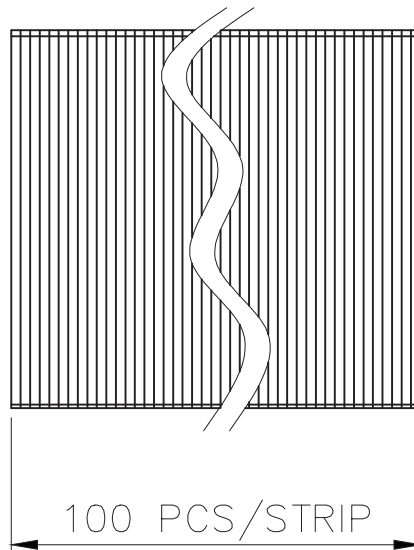
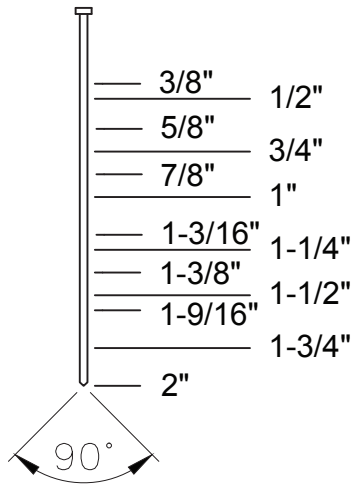
Use with the following UNICATCH tools: UB1832 & UB1850

Interchangeable with: Bostitch, Hitachi, Senco, Porter-Cable, Spotnail, Fasco & Max

ITEM#	DESC.	LENGTH	WT/CTN (LBS)	M/BX	BXS/CTN	PLT Q'TY (BY CARTONS)	LIST PRICE	
							PER/M	PER/CTN
85391	F10	3/8"	26	5	20	96	\$0.89	\$89.00
85394	F12	1/2"	30	5	20	96	\$0.92	\$92.00
85397	F15	5/8"	32	5	20	72	\$0.97	\$97.00
85400	F20	3/4"	41	5	20	54	\$1.17	\$117.00
85402	F22	7/8"	45	5	20	54	\$1.25	\$125.00
85406	F25	1"	50	5	20	54	\$1.37	\$137.00
85409	F30	1-3/16"	59	5	20	44	\$1.52	\$152.00
85412	F32	1-1/4"	38	5	12	66	\$1.67	\$100.00
85415	F35	1-3/8"	42	5	12	60	\$1.77	\$106.00
85418	F38	1-1/2"	46	5	12	56	\$1.93	\$116.00
85421	F40	1-9/16"	49	5	12	60	\$2.05	\$123.00
85424	F45	1-3/4"	26	5	6	90	\$2.23	\$67.00
85427	F50	2"	30	5	6	87	\$2.47	\$74.00

Actual Size

18GA



****Stainless steel available on special order. Please call for quote and availability****

HEADLESS PINS

23 Gauge Micro Headless pins

Use with the following UNICATCH tools: UP0635

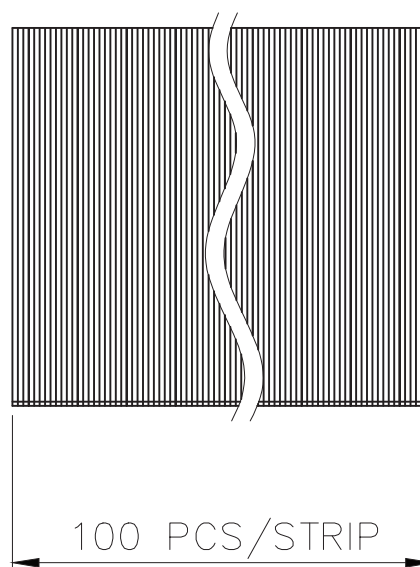
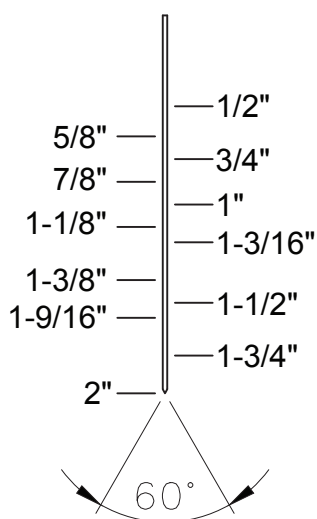
Interchangeable with: Bostitch, Hitachi, Senco, Porter-Cable, Fasco & Max

ITEM#	DESC.	LENGTH	WT/CTN (LBS)	M/BX	BXS/CTN	PLT Q'TY (BY CARTONS)	LIST PRICE	
							PER/M	PER/CTN
87944	CZ13	1/2"	6	10	20	90	\$0.90	\$180.00
87946	CZ16	5/8"	7	10	20	96	\$0.95	\$190.00
87948	CZ19	3/4"	9	10	20	90	\$1.10	\$220.00
87950	CZ22	7/8"	10	10	20	90	\$1.23	\$245.00
87952	CZ25	1"	13	10	20	70	\$1.33	\$265.00
87954	CZ28	1-1/8"	14	10	20	70	\$1.40	\$279.00
87956	CZ30	1-3/16"	15	10	20	70	\$1.49	\$297.00
87958	CZ35	1-3/8"	18	10	20	90	\$1.63	\$325.00
87960	CZ38	1-1/2"	20	10	20	49	\$1.77	\$354.00
87963	CZ40	1-9/16"	23	10	20	49	\$2.01	\$402.00
87966	CZ45	1-3/4"	25	10	20	49	\$2.16	\$432.00
87969	CZ50	2"	28	10	20	49	\$2.40	\$480.00

Also available for sale in boxes for 23GA Pins, please call for prices.

Actual Size

23GA



****Stainless steel available on special order. Please call for quote and availability****

HEAVY-WIRE STAPLES

15 Gauge, Med Crown Staples

ITEM#	DESC.	LENGTH	WT/CTN (LBS)	M/BX	BXS/CTN	PLT Q'TY (BY CARTONS)	LIST PRICE	
							PER/M	PER/CTN

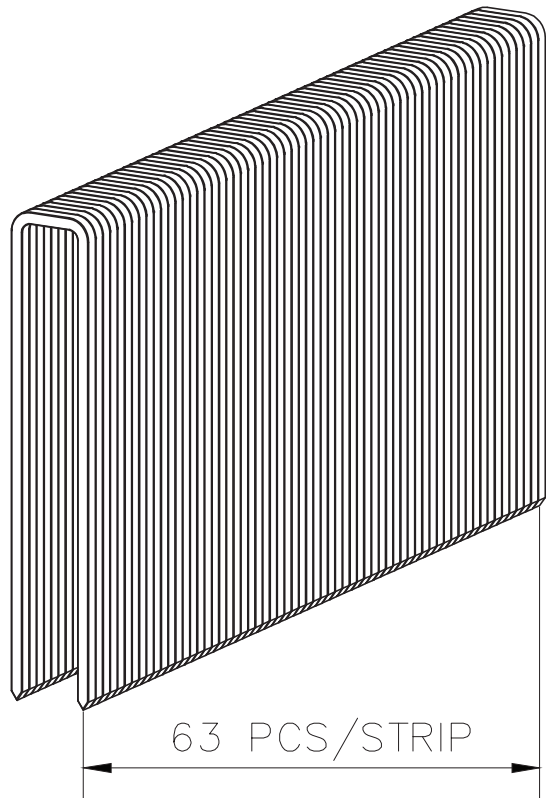
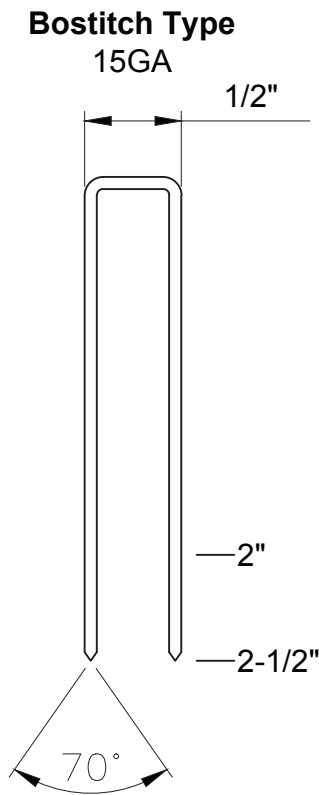
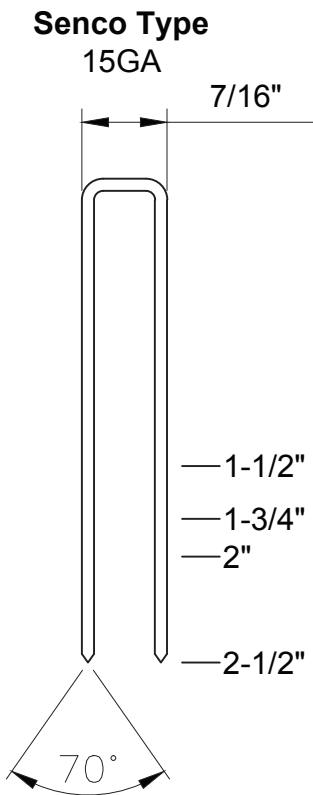
Senco Type, 7/16" Crown, Q-Series Staple

86907	Q17	1-1/2"	22	5	1	108	\$9.60	\$48.00
86909	Q19	1-3/4"	23	5	1	108	\$10.80	\$54.00
86910	Q21	2"	25	5	1	112	\$12.00	\$60.00
86916	Q25	2-1/2"	31	5	1	96	\$15.00	\$75.00

Bostitch Type, 1/2" Crown Staples

86920	BQ21	2"	25	5	1	112	\$12.00	\$60.00
86926	BQ25	2-1/2"	31	5	1	96	\$15.00	\$75.00

Actual Size



****Stainless steel available on special order. Please call for quote and availability****

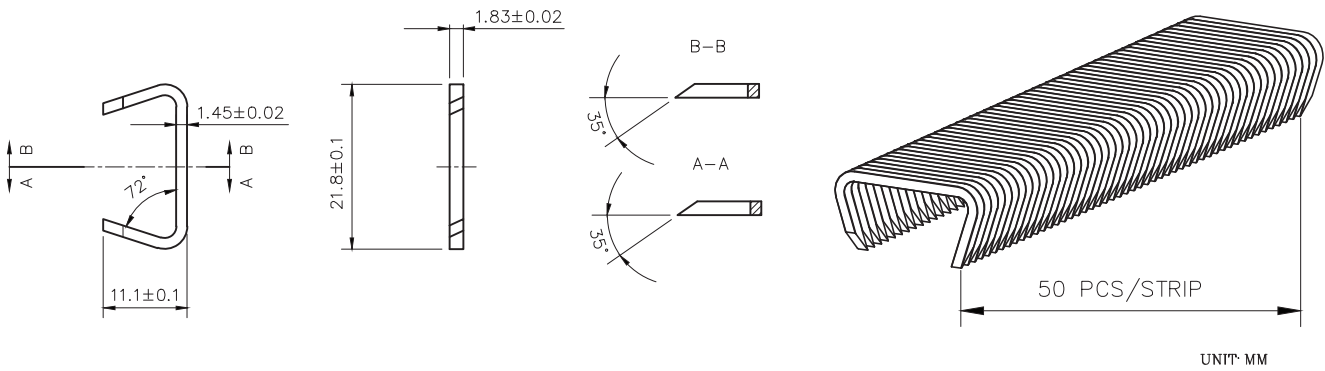
HOG RINGS

15 Gauge, Hog Rings, 3/4" Crown

ITEM#	DESC.	FINISH	WT/CTN (LBS)	M/BX	BXS/CTN	PLT Q'TY (BY CARTONS)	LIST PRICE	
							PER/M	PER/CTN
86932	D-TYPE	BRITE	17	10	1	120	\$4.00	\$40.00
86933	D-TYPE	EG	17	10	1	120	\$5.00	\$50.00
86942	C-TYPE	BRITE	17	10	1	120	\$4.00	\$40.00
86943	C-TYPE	EG	17	10	1	120	\$5.00	\$50.00

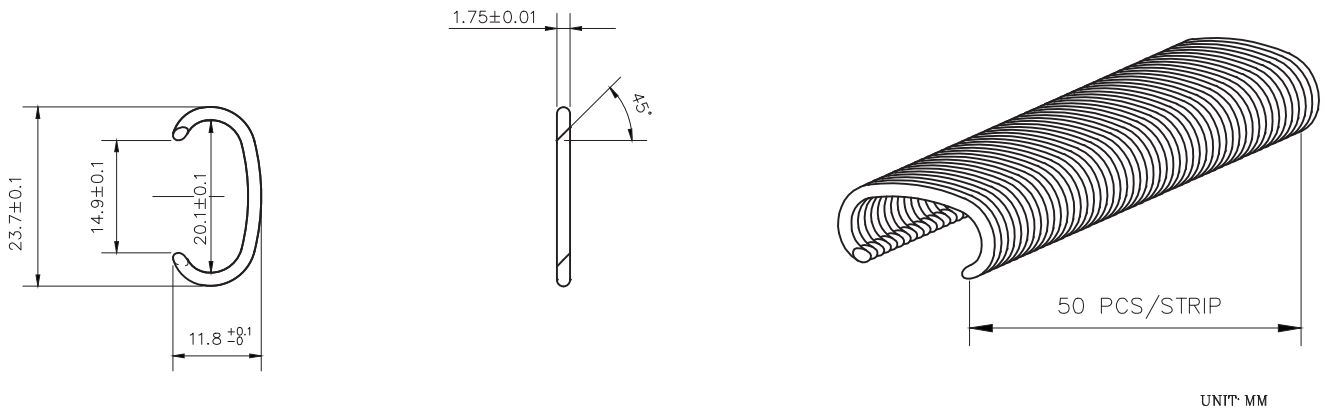
D-Type Hog Rings (Similar to Bostitch SR15)

Actual Size



C-Type Hog Rings (Similar to Bostitch RING15100P)

Actual Size



****Stainless steel available on special order. Please call for quote and availability****

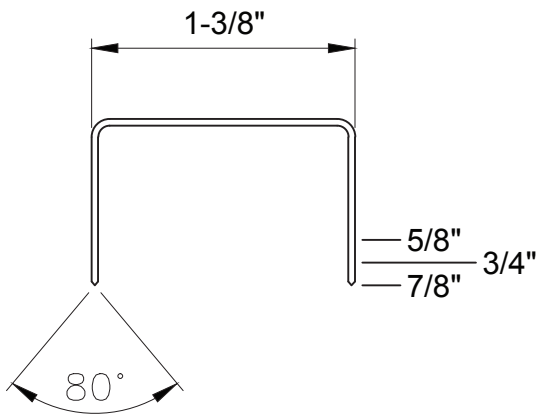
CARTON CLOSING STAPLES

16 Gauge Carton Closing Staples

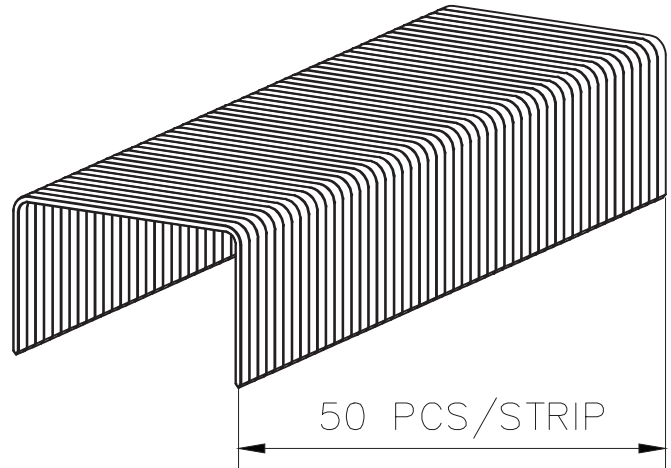
Use with the following UNICATCH tools: USC1634C, USC1634MC, USC1634A & USC1634MA

ITEM#	DESC.	LENGTH	WT/CTN (LBS)	M/BX	BXS/CTN	PLT Q'TY (BY CARTONS)	LIST PRICE	
							PER/M	PER/CTN
A-Type, 1-3/8" Crown								
87936	CA58	5/8"	42	2	10	48	\$4.00	\$80.00
87937	CA34	3/4"	50	2	10	48	\$4.15	\$83.00
87938	CA78	7/8"	57	2	10	48	\$4.70	\$94.00
C-Type, 1-1/4" Crown								
87940	CC58	5/8"	32	2	10	60	\$3.40	\$68.00
87939	CC34	3/4"	37	2	10	60	\$3.75	\$75.00
87941	CC78	7/8"	42	2	10	60	\$4.40	\$88.00

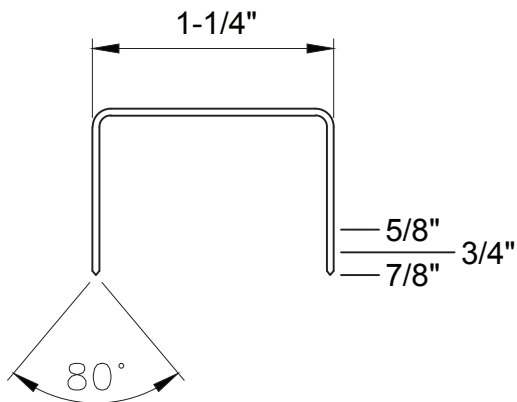
A-Type 16GA



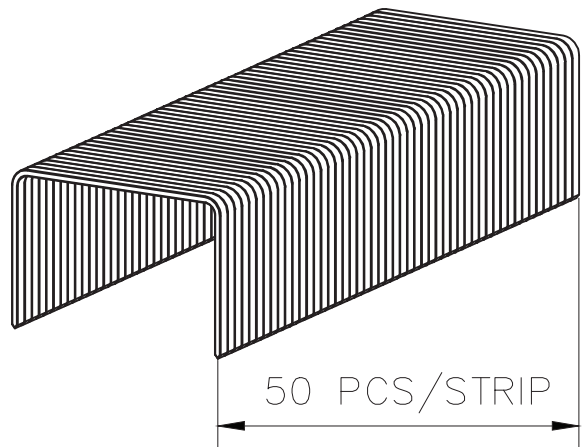
Actual Size



C-Type 16GA



Actual Size



****Stainless steel available on special order. Please call for quote and availability****

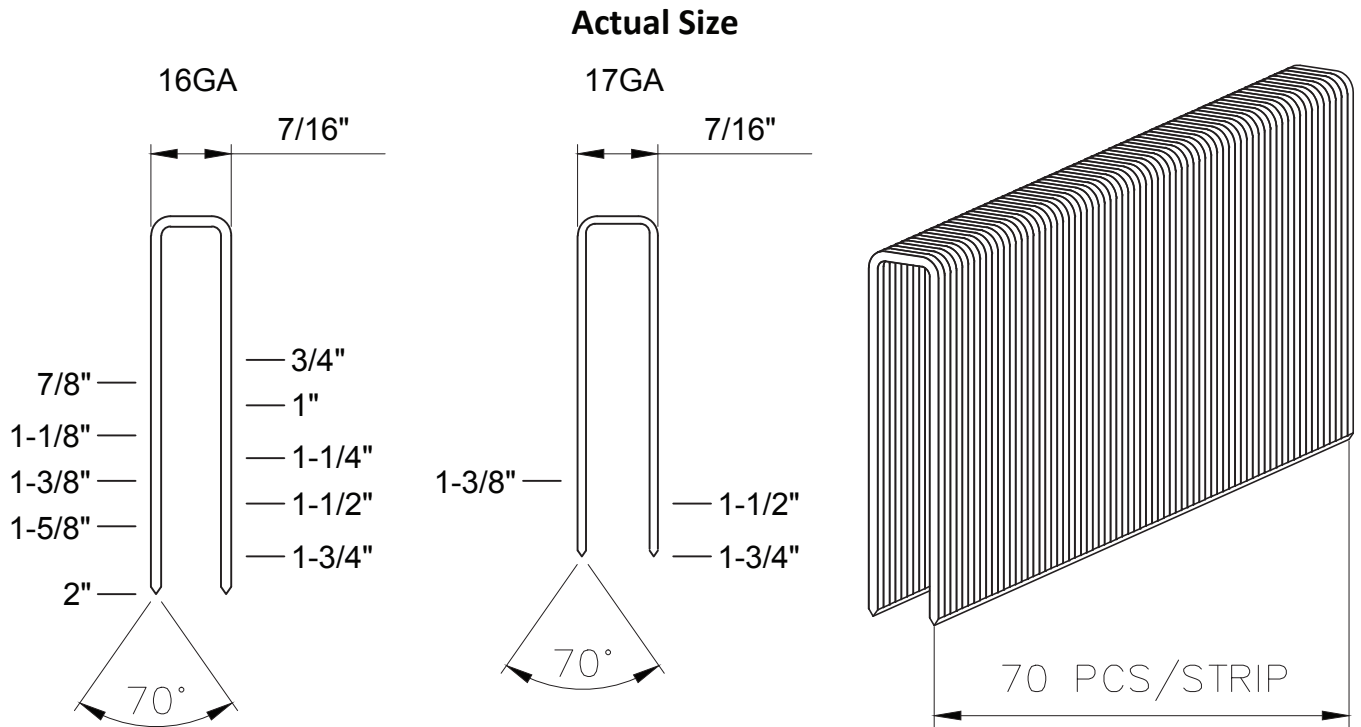
MEDIUM CROWN STAPLES

16 Gauge & 17 Gauge, 7/16" Med Crown, N & ON-Series Staples

Use with the following UNICATCH tools: USN50D

Interchangeable with: Senco, Hitachi, Porter-Cable & Fasco

ITEM#	DESC.	LENGTH	WT/CTN (LBS)	M/BX	BXS/CTN	PLT Q'TY (BY CARTONS)	LIST PRICE	
							PER/M	PER/CTN
16 Gauge								
86809	N19	3/4"	15	10	1	192	\$3.40	\$34.00
86812	N22	7/8"	17	10	1	140	\$3.50	\$35.00
86814	N25	1"	18	10	1	140	\$3.70	\$37.00
86817	N28	1-1/8"	20	10	1	120	\$4.00	\$40.00
86819	N32	1-1/4"	23	10	1	120	\$4.30	\$43.00
86822	N35	1-3/8"	24	10	1	100	\$4.40	\$44.00
86824	N38	1-1/2"	27	10	1	100	\$4.80	\$48.00
86826	N40	1-5/8"	28	10	1	100	\$4.90	\$49.00
86829	N45	1-3/4"	30	10	1	84	\$5.40	\$54.00
86834	N50	2"	34	10	1	84	\$6.00	\$60.00
17 Gauge (Similar to Senco O/Bostitch 17S5/BeA 14 series)								
86852	ON35	1-3/8"	21	10	1	100	\$4.00	\$40.00
86854	ON38	1-1/2"	23	10	1	100	\$4.20	\$42.00
86859	ON45	1-3/4"	25	10	1	84	\$5.00	\$50.00



****Stainless steel available on special order. Please call for quote and availability****

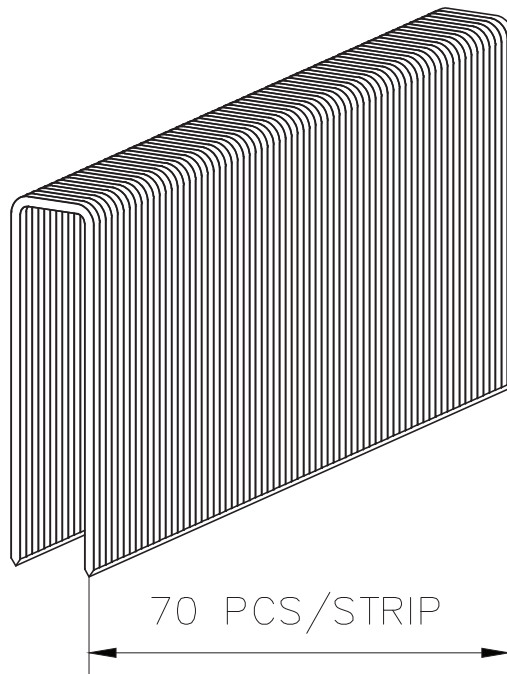
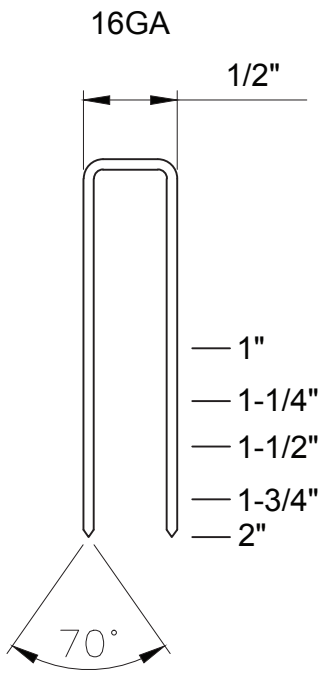
MEDIUM CROWN STAPLES

16 Gauge, 1/2" Med Crown, 16S4-Series Staples

Interchangeable with: Bostitch & Fasco

ITEM#	DESC.	LENGTH	WT/CTN (LBS)	M/BX	BXS/CTN	PLT Q'TY (BY CARTONS)	LIST PRICE	
							PER/M	PER/CTN
86723	BN25	1"	18	10	1	124	\$3.80	\$38.00
86728	BN32	1-1/4"	23	10	1	108	\$4.40	\$44.00
86733	BN38	1-1/2"	27	10	1	92	\$5.00	\$50.00
86738	BN45	1-3/4"	30	10	1	80	\$5.60	\$56.00
86743	BN50	2"	34	10	1	80	\$6.20	\$62.00

Actual Size



****Stainless steel available on special order. Please call for quote and availability****

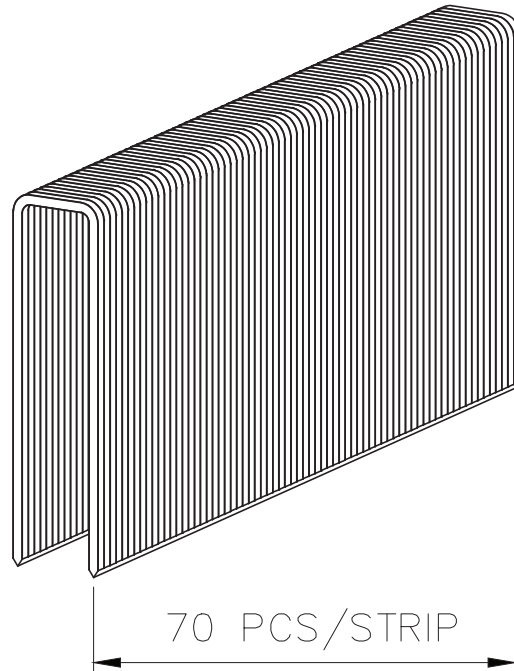
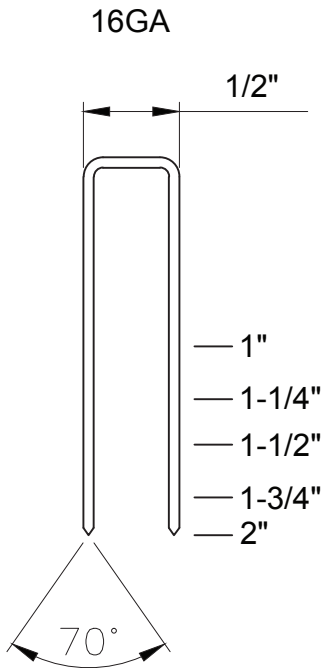
MEDIUM CROWN STAPLES

16 Gauge, 1/2" Med Crown, GS-Series Staples

Interchangeable with: Paslode

ITEM#	DESC.	LENGTH	WT/CTN (LBS)	M/BX	BXS/CTN	PLT Q'TY (BY CARTONS)	LIST PRICE	
							PER/M	PER/CTN
86767	PN25	1"	18	10	1	140	\$4.00	\$40.00
86773	PN32	1-1/4"	23	10	1	104	\$4.60	\$46.00
86779	PN38	1-1/2"	27	10	1	88	\$5.10	\$51.00
86785	PN45	1-3/4"	30	10	1	80	\$5.80	\$58.00
86791	PN50	2"	34	10	1	72	\$6.40	\$64.00

Actual Size



****Stainless steel available on special order. Please call for quote and availability****

WIDE CROWN STAPLES

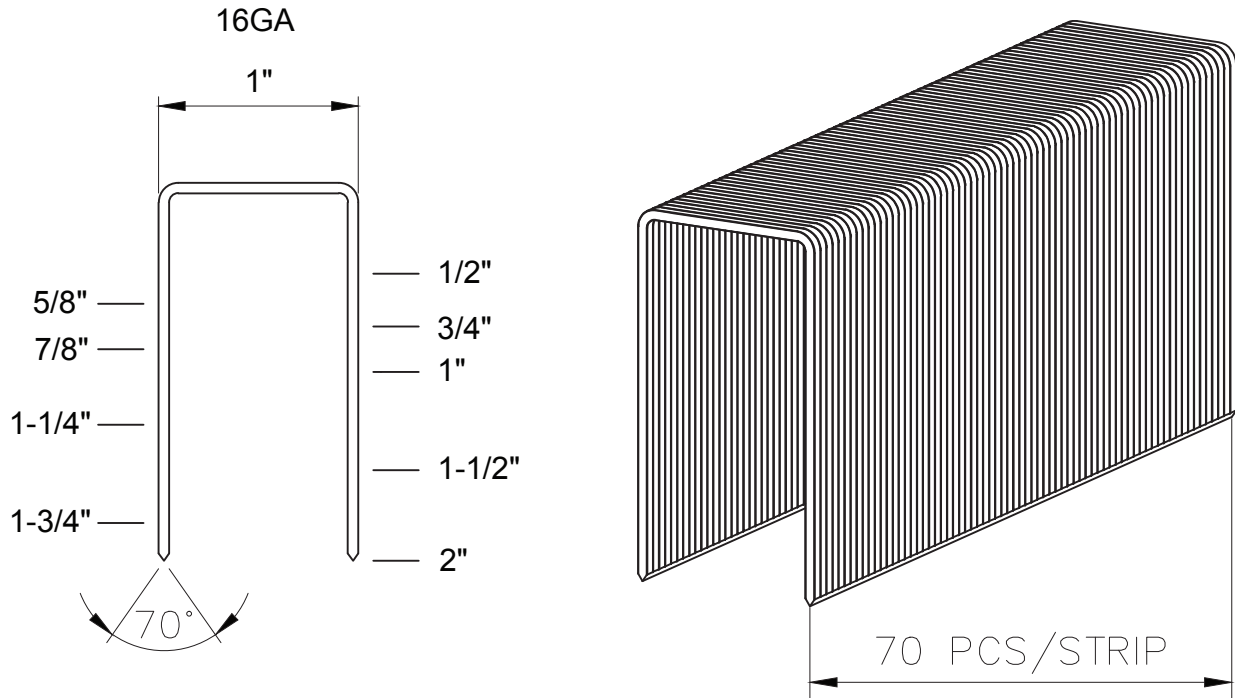
16 Gauge, 1" Wide Crown, P-Series Staples

Use with the following UNICATCH tools: USP38

Interchangeable with: Senco, Fasco & Duo-Fast

ITEM#	DESC.	LENGTH	WT/CTN (LBS)	M/BX	BXS/CTN	PLT Q'TY (BY CARTONS)	LIST PRICE	
							PER/M	PER/CTN
86197	P13	1/2"	14	10	1	154	\$4.00	\$40.00
86202	P16	5/8"	18	10	1	154	\$4.30	\$43.00
86207	P19	3/4"	19	10	1	154	\$4.50	\$45.00
86212	P22	7/8"	21	10	1	119	\$4.80	\$48.00
86217	P25	1"	23	10	1	105	\$5.10	\$51.00
86222	P32	1-1/4"	27	10	1	91	\$5.60	\$56.00
86227	P38	1-1/2"	32	10	1	77	\$6.10	\$61.00
86232	P45	1-3/4"	18	5	1	58	\$7.00	\$35.00
86237	P50	2"	20	5	1	52	\$8.00	\$40.00

Actual Size



****Stainless steel available on special order. Please call for quote and availability****

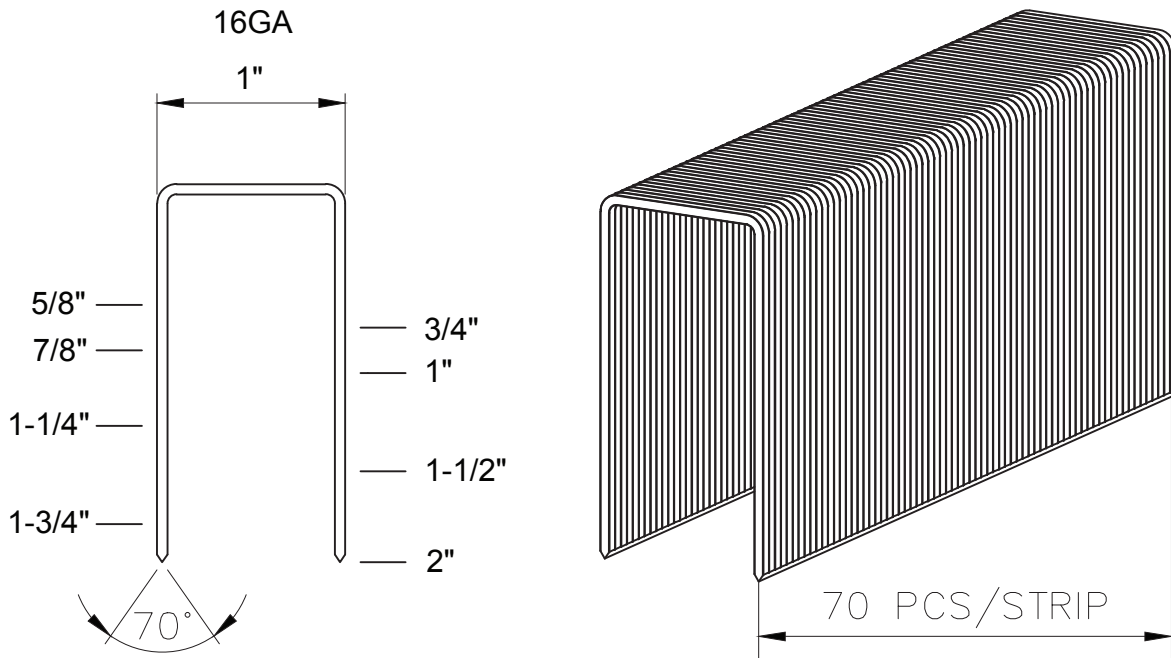
WIDE CROWN STAPLES

16 Gauge, 1" Wide Crown, BCS-Series Staples

Interchangeable with: Bostitch

ITEM#	DESC.	LENGTH	WT/CTN (LBS)	M/BX	BXS/CTN	PLT Q'TY (BY CARTONS)	LIST PRICE	
							PER/M	PER/CTN
86402	BP16	5/8"	18	10	1	156	\$4.30	\$43.00
86407	BP19	3/4"	19	10	1	126	\$4.50	\$45.00
86412	BP22	7/8"	21	10	1	126	\$4.80	\$48.00
86417	BP25	1"	23	10	1	114	\$5.10	\$51.00
86422	BP32	1-1/4"	27	10	1	84	\$5.60	\$56.00
86427	BP38	1-1/2"	32	10	1	84	\$6.10	\$61.00
86432	BP45	1-3/4"	18	5	1	119	\$7.00	\$35.00
86437	BP50	2"	20	5	1	119	\$8.00	\$40.00

Actual Size



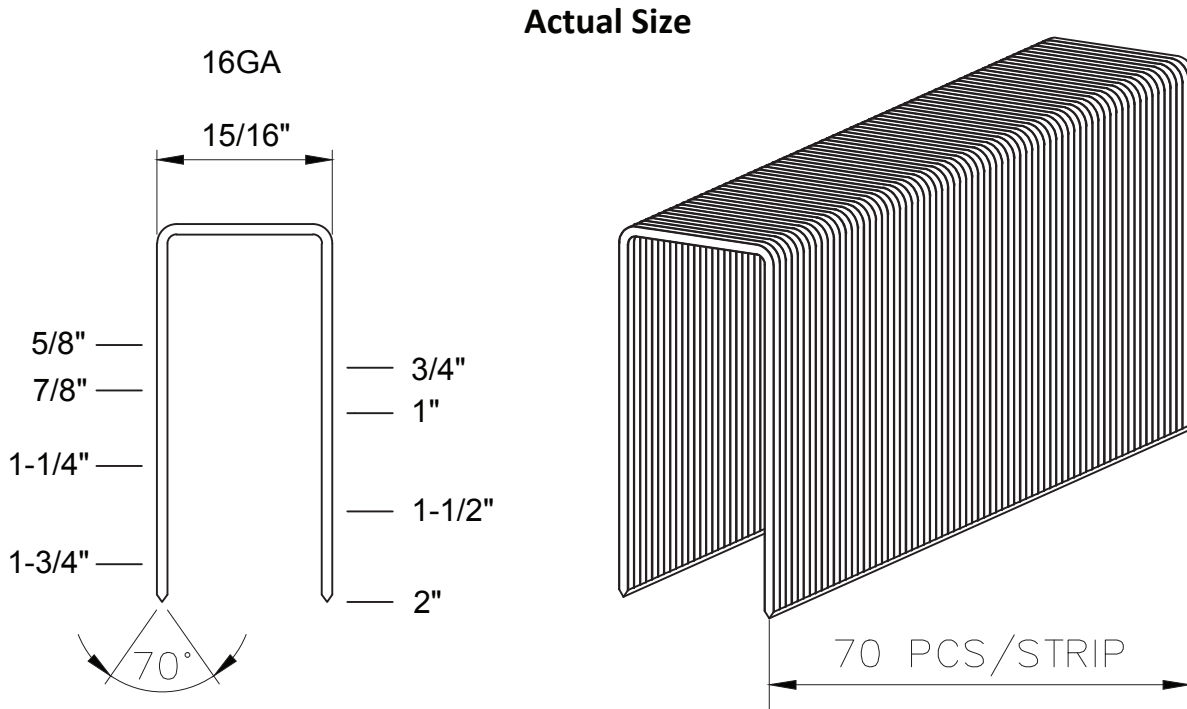
****Stainless steel available on special order. Please call for quote and availability****

WIDE CROWN STAPLES

16 Gauge, 15/16" Wide Crown, GSW-Series Staples

Interchangeable with: Paslode

ITEM#	DESC.	LENGTH	WT/CTN (LBS)	M/BX	BXS/CTN	PLT Q'TY (BY CARTONS)	LIST PRICE	
							PER/M	PER/CTN
86302	PP16	5/8"	18	10	1	154	\$4.30	\$43.00
86307	PP19	3/4"	19	10	1	126	\$4.50	\$45.00
86312	PP22	7/8"	21	10	1	126	\$4.80	\$48.00
86317	PP25	1"	23	10	1	114	\$5.10	\$51.00
86322	PP32	1-1/4"	27	10	1	84	\$5.60	\$56.00
86327	PP38	1-1/2"	32	10	1	84	\$6.10	\$61.00
86332	PP45	1-3/4"	18	5	1	119	\$7.00	\$35.00
86337	PP50	2"	20	5	1	108	\$8.00	\$40.00



****Stainless steel available on special order. Please call for quote and availability****

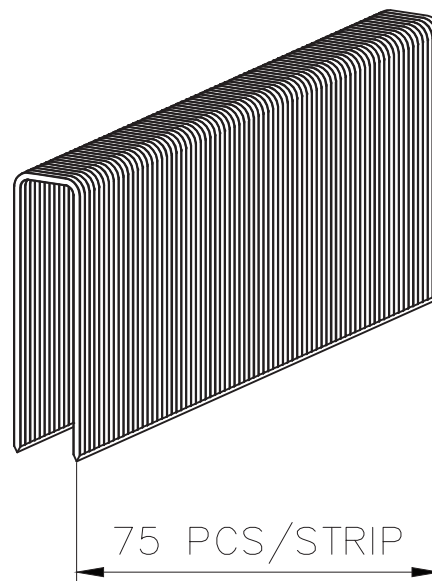
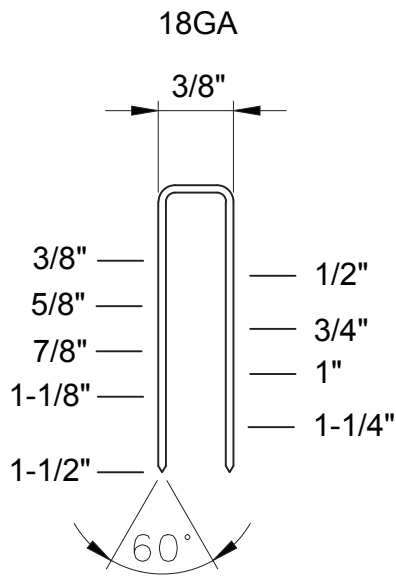
MEDIUM-WIRE STAPLES

18 Gauge, 3/8" Crown, M-Series Staples

Interchangeable with: Senco

ITEM#	DESC.	LENGTH	WT/CTN (LBS)	M/BX	BXS/CTN	PLT Q'TY (BY CARTONS)	LIST PRICE	
							PER/M	PER/CTN
87510	M10	3/8"	32	5	12	90	\$1.70	\$102.00
87513	M13	1/2"	35	5	12	75	\$1.75	\$105.00
87516	M16	5/8"	45	5	12	60	\$1.80	\$108.00
87519	M19	3/4"	50	5	12	60	\$1.92	\$115.00
87522	M22	7/8"	58	5	12	45	\$2.33	\$140.00
87525	M25	1"	65	5	12	45	\$2.50	\$150.00
87528	M28	1-1/8"	38	5	6	65	\$3.00	\$90.00
87531	M32	1-1/4"	40	5	6	65	\$3.27	\$98.00
87534	M38	1-1/2"	48	5	6	52	\$3.73	\$112.00

Actual Size



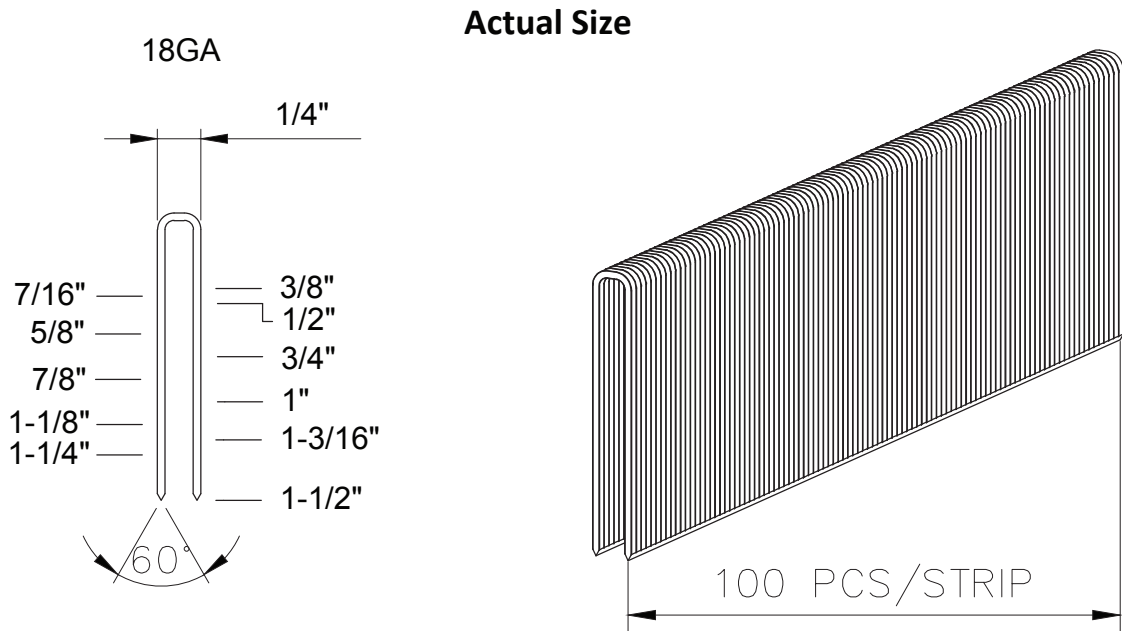
****Stainless steel available on special order. Please call for quote and availability****

NARROW CROWN STAPLES

18 Gauge, 1/4" Narrow Crown, L-Series Staples

Interchangeable with: Hitachi, Senco, Porter-Cable, Duo-Fast & Haubold

ITEM#	DESC.	LENGTH	WT/CTN (LBS)	M/BX	BXS/CTN	PLT Q'TY (BY CARTONS)	LIST PRICE	
							PER/M	PER/CTN
87315	L10	3/8"	44	5	20	64	\$1.20	\$120.00
87318	L12	7/16"	49	5	20	64	\$1.38	\$138.00
87320	L13	1/2"	37	5	12	64	\$1.50	\$90.00
87325	L16	5/8"	40	5	12	64	\$1.67	\$100.00
87330	L19	3/4"	47	5	12	64	\$1.83	\$110.00
87335	L22	7/8"	53	5	12	48	\$2.05	\$123.00
87340	L25	1"	61	5	12	48	\$2.27	\$136.00
87345	L28	1-1/8"	68	5	12	32	\$2.42	\$145.00
87347	L30	1-3/16"	37	5	6	72	\$2.67	\$80.00
87350	L32	1-1/4"	39	5	6	63	\$2.73	\$82.00
87360	L38	1-1/2"	46	5	6	63	\$3.13	\$94.00



****Stainless steel available on special order. Please call for quote and availability****

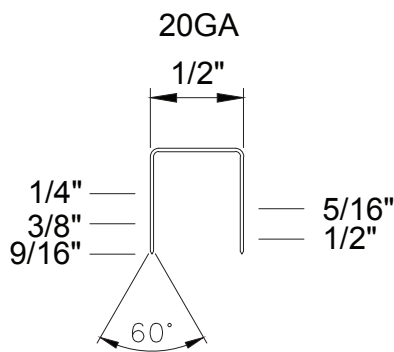
FINE-WIRE STAPLES

20 Gauge, 1/2" Crown, 50-Series Staples

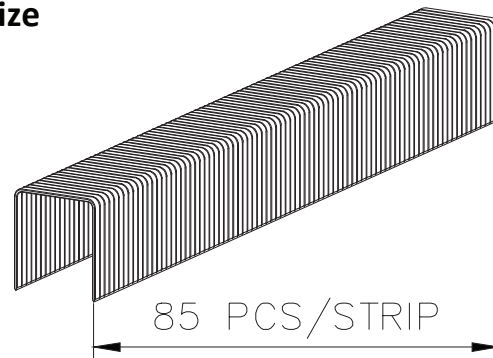
Use with the following UNICATCH tools: UD5000 Hammer Tacker

Interchangeable with: Duo-Fast

ITEM#	DESC.	LENGTH	WT/CTN (LBS)	M/BX	BXS/CTN	PLT Q'TY (BY CARTONS)	LIST PRICE	
							PER/M	PER/CTN
86503	5008	1/4"	22	5	20	80	\$0.95	\$95.00
86505	5010	5/16"	27	5	20	80	\$1.00	\$100.00
86507	5012	3/8"	33	5	20	60	\$1.10	\$110.00
86509	5016	1/2"	43	5	20	60	\$1.20	\$120.00
86511	5018	9/16"	49	5	20	50	\$1.35	\$135.00



Actual Size

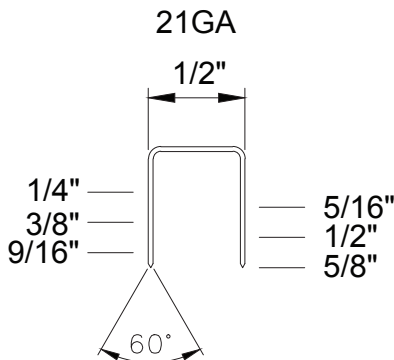


21 Gauge, 1/2" Crown, 80-Series Fine Wire Staples

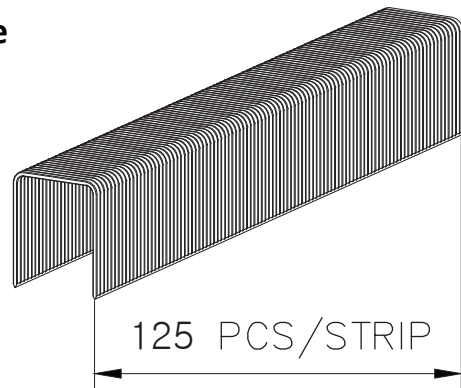
Use with the following UNICATCH tools: USAT80/16 Series & USATA80/16 Auto Series

Interchangeable with: Senco, Porter-Cable, Fasco, Astro & BeA

ITEM#	DESC.	LENGTH	WT/CTN (LBS)	M/BX	BXS/CTN	PLT Q'TY (BY CARTONS)	LIST PRICE	
							PER/M	PER/CTN
87752	8006	1/4"	44	10	20	63	\$0.64	\$127.20
87755	8008	5/16"	30	10	10	80	\$0.72	\$72.00
87757	8010	3/8"	33	10	10	80	\$0.79	\$79.20
87767	8012	1/2"	38	10	10	49	\$0.90	\$90.00
87770	8014	9/16"	42	10	10	49	\$1.03	\$103.20
87777	8016	5/8"	44	10	10	49	\$1.14	\$114.00



Actual Size



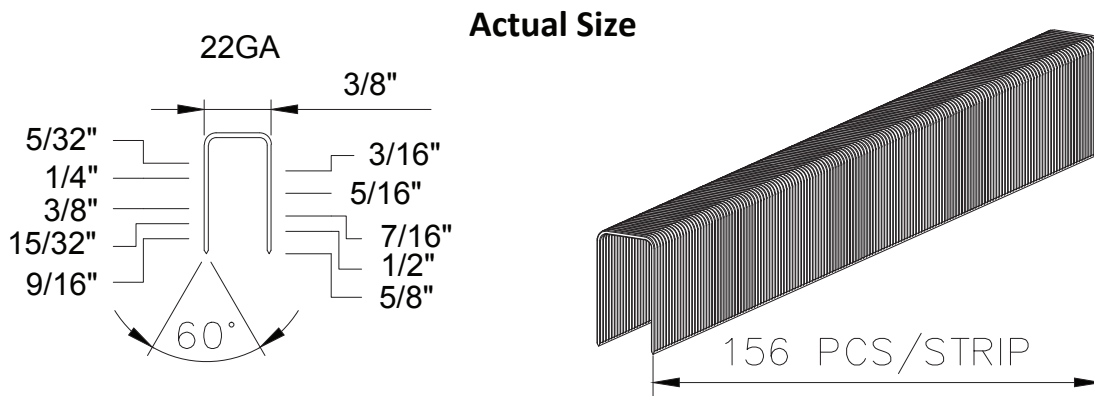
****Stainless steel available on special order. Please call for quote and availability****

FINE-WIRE STAPLES

22 Gauge, 3/8" Crown, C-Series Fine Wire Staples (71 Series)

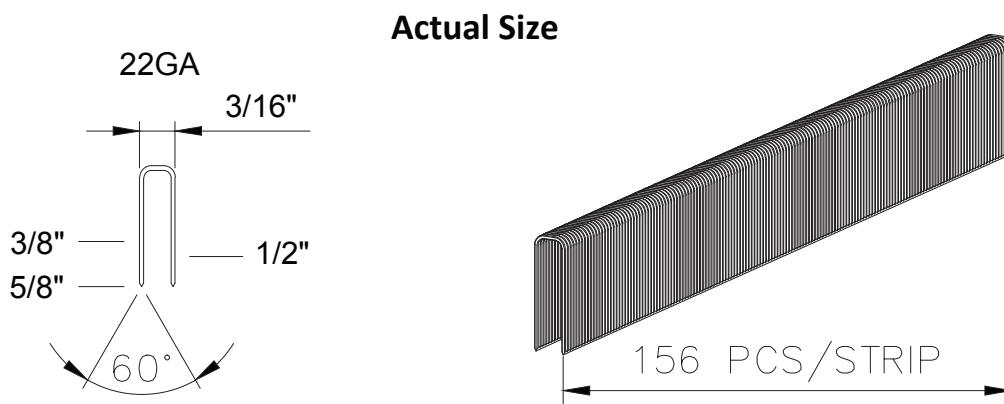
Use with the following UNICATCH tools: USAT71/16 Series & USATA71/16 Auto Series

ITEM#	DESC.	LENGTH	WT/CTN (LBS)	M/BX	BXS/CTN	PLT Q'TY (BY CARTONS)	LIST PRICE	
							PER/M	PER/CTN
87706	C02	5/32"	21	10	20	100	\$0.43	\$85.00
87710	C05	3/16"	23	10	20	100	\$0.45	\$90.00
87712	C06	1/4"	25	10	20	90	\$0.48	\$96.00
87715	C08	5/16"	29	10	20	84	\$0.50	\$99.00
87717	C10	3/8"	34	10	20	72	\$0.51	\$102.00
87720	C11	7/16"	39	10	20	66	\$0.54	\$108.00
87722	C12	15/32"	40	10	20	66	\$0.55	\$110.00
87727	C13	1/2"	42	10	20	63	\$0.56	\$112.00
87737	C16	5/8"	30	10	12	72	\$0.62	\$74.00



22 Gauge, 3/16" Crown, A-Series Staples (Senco Style)

ITEM#	DESC.	LENGTH	WT/CTN (LBS)	M/BX	BXS/CTN	PLT Q'TY (BY CARTONS)	LIST PRICE	
							PER/M	PER/CTN
87545	AS-10 (A06)	3/8"	36	10	25	64	\$0.38	\$95.00
87550	AS-13 (A08)	1/2"	38	10	20	60	\$0.52	\$104.00
87555	AS-16 (D10)	5/8"	40	10	18	60	\$0.61	\$110.00



****Stainless steel available on special order. Please call for quote and availability****

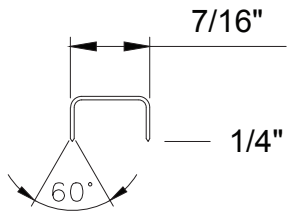
FINE-WIRE STAPLES

Tacker Staples

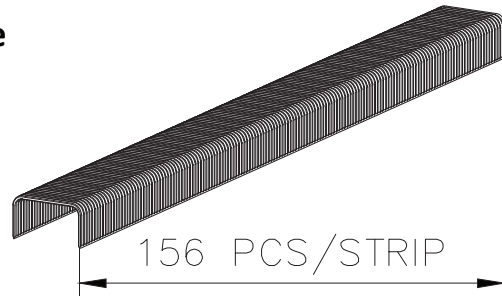
Use with the following UNICATCH tools: UA-11 & UA-19 & CarpetPro7500

ITEM#	DESC.	LENGTH	WT/CTN (LBS)	M/BX	BXS/CTN	PLT Q'TY (BY CARTONS)	LIST PRICE	
							PER/M	PER/CTN
87635	UA19-14	1/4" (23GA)	30	5	50	72	\$0.26	\$65.00
87660	UA11-38	3/8" (20GA)	29	5	20	72	\$0.60	\$60.00
87843	DP7512	3/8" (19GA)	35	5	20	64	\$0.80	\$80.00
87866	DP5418	9/16" (20ga)	31	5	20	84	\$0.70	\$70.00

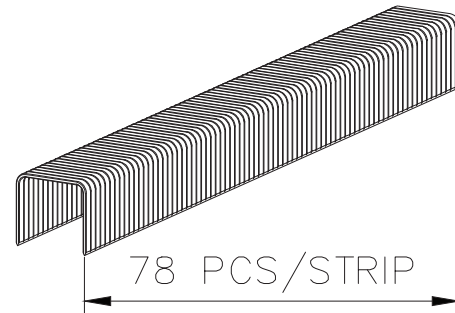
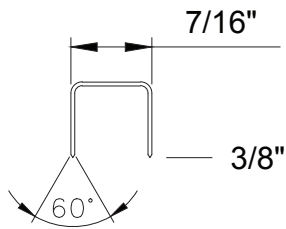
UA19-14
23GA



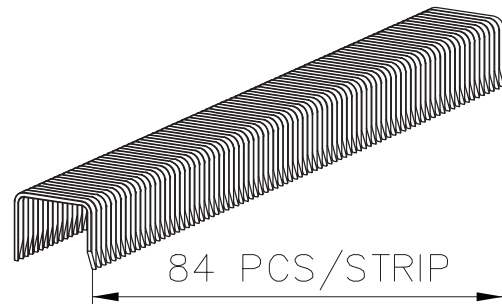
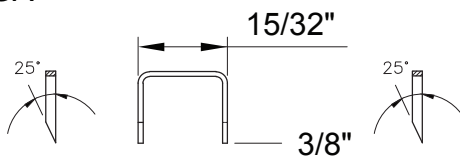
Actual Size



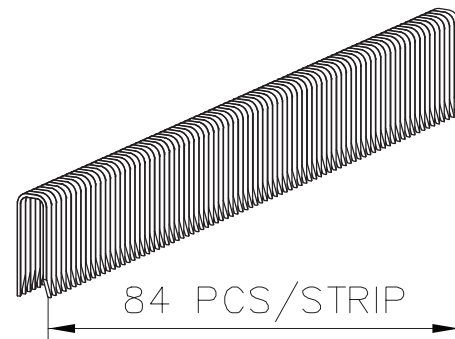
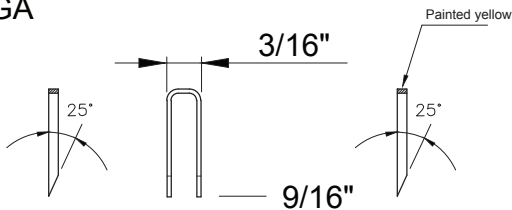
UA11-38
20GA



DP7512
19GA



DP5418
20GA



****Stainless steel available on special order. Please call for quote and availability****

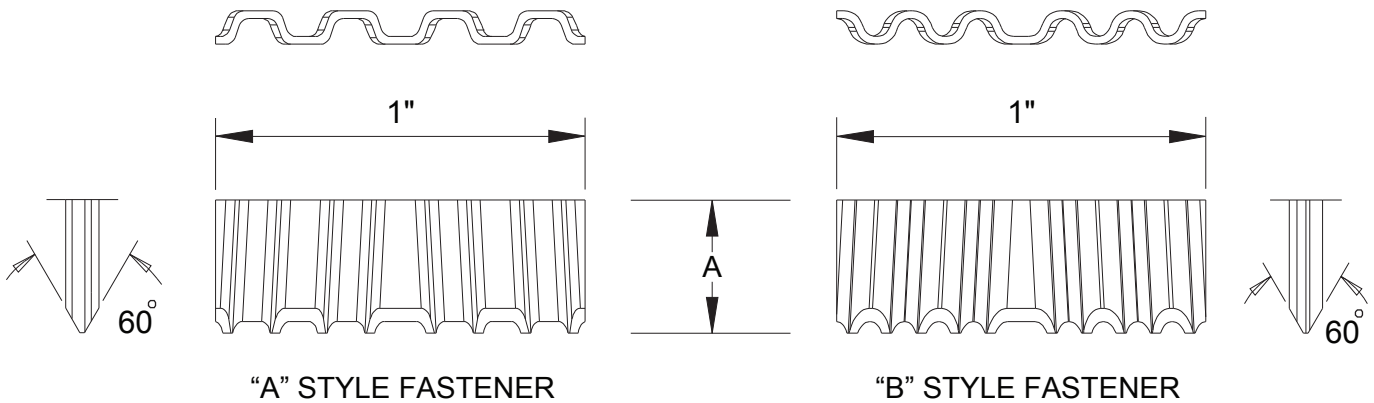
CORRUGATED FASTENERS

1" Width, Corrugated Fastener (BeA Style)

Use with the following UNICATCH tools: CF-15S

ITEM#	DESC.	LENGTH	WT/CTN	M/BX	BXS/CTN	PLT Q'TY (BY CARTONS)	LIST PRICE	
		A	(LBS)				PER/M	PER/CTN
86524	W06	1/4"	21	12.96	1	85	\$8.49	\$110.00
86526	W09	3/8"	21	9.21	1	85	\$11.94	\$110.00
86528	W12	1/2"	21	6.91	1	85	\$15.92	\$110.00

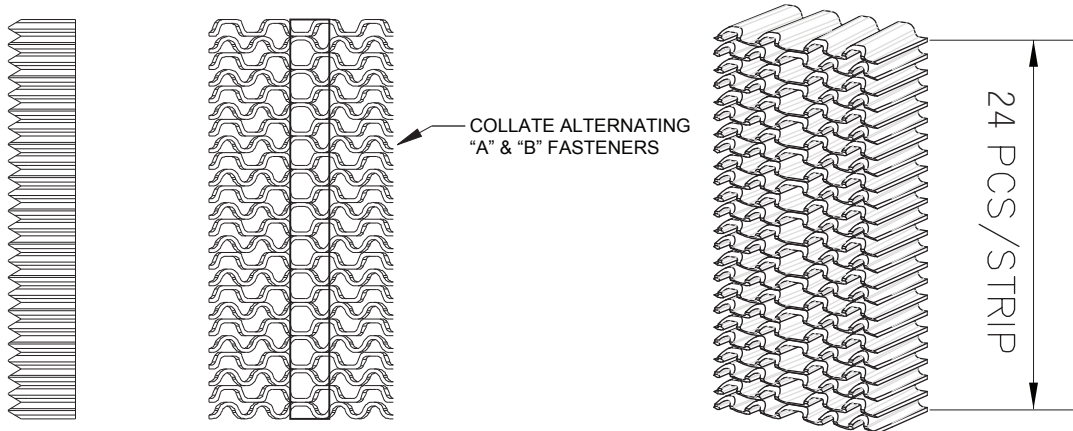
Scale 200%



"A" STYLE FASTENER

"B" STYLE FASTENER

Actual Size



****Stainless steel available on special order. Please call for quote and availability****

COIL ROOFING NAILS

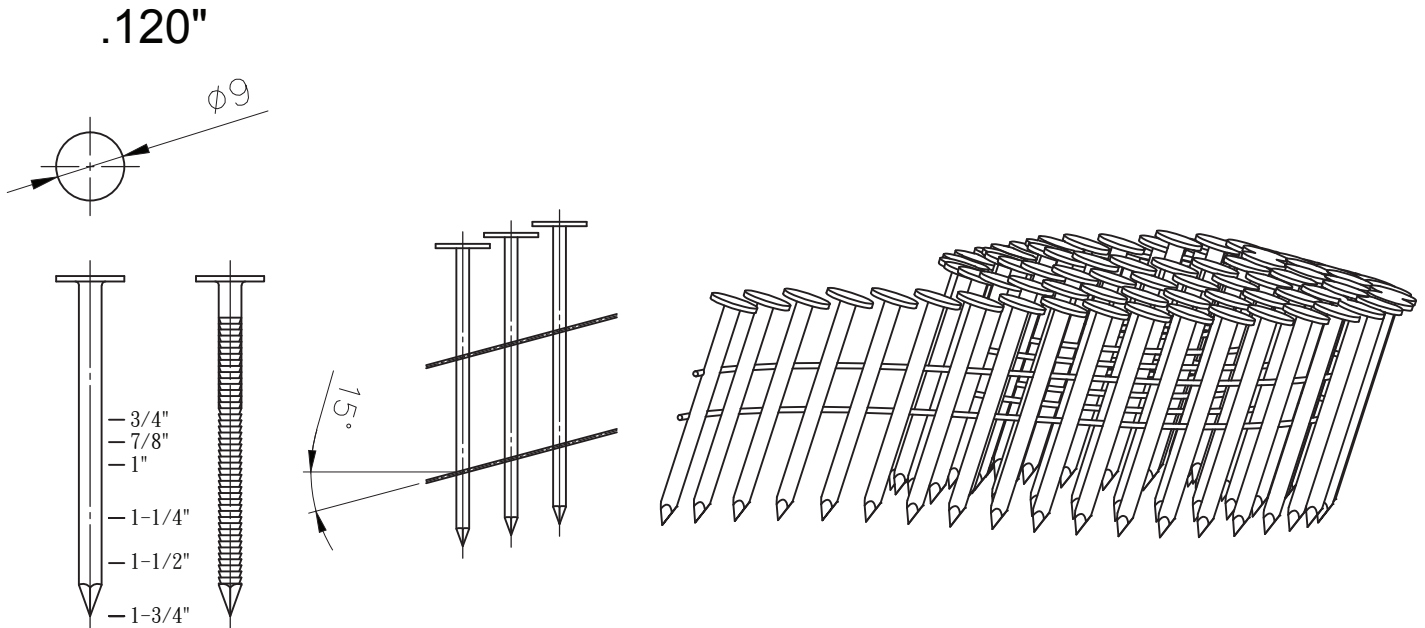
15 Degree Electro-Galv., Wire Collated Roofing Nails

Use with the following UNICATCH tools: UNCR45

Interchangeable with: Senco, Bostitch, Hitachi, Atro, Max, Fasco, Porter-Cable & Paslode

ITEM#	DESC.	LENGTH	SHANK		WT/CTN (LBS)	M/CTN	PLT Q'TY (BY CARTONS)	LIST PRICE	
			TYPE					PER/M	PER/CTN
Shank Diameter - .120" Galvanized									
80020	RN19	3/4"	-	-	21	7.2	64	\$5.56	\$40.00
80021	RN22	7/8"	-	-	23	7.2	64	\$5.83	\$42.00
80022	RN25	1"	-	-	26	7.2	56	\$6.94	\$50.00
80023	RN32	1-1/4"	-	-	33	7.2	48	\$7.22	\$52.00
80024	RN38	1-1/2"	-	-	38	7.2	40	\$7.64	\$55.00
80025	RN45	1-3/4"	-	-	45	7.2	40	\$8.19	\$59.00
80040	RN19R	3/4"	R	-	21	7.2	64	\$10.28	\$74.00
80041	RN22R	7/8"	R	-	23	7.2	64	\$10.56	\$76.00
80042	RN25R	1"	R	-	26	7.2	56	\$11.11	\$80.00
80043	RN32R	1-1/4"	R	-	33	7.2	48	\$11.67	\$84.00
80044	RN38R	1-1/2"	R	-	38	7.2	40	\$12.78	\$92.00
80045	RN45R	1-3/4"	R	-	45	7.2	40	\$13.33	\$96.00

Single Nail Actual Size



R = RING ; S = SCREW ; G = ELECTRO-GALV ; C = CHISEL
H = HARDENED ; MG = MECHANICAL GALV. ; HL = HI-LOAD

****Stainless steel available on special order. Please call for quote and availability****

COIL NAILS

15 Degree Flat Wound Coil Nails

Use with the following UNICATCH tools: N57, N57-PP & N70 Coil Nailer

Interchangeable with: Senco, Bostitch, Hitachi, Atro, Max, Fasco, Porter-Cable & Paslode

ITEM#	DESC.	LENGTH	SHANK TYPE	WT/CTN (LBS)	M/CTN	PLT Q'TY (BY CARTONS)	LIST PRICE	
							PER/M	PER/CTN
Shank Diameter - .083"								
80214	CN822RG	7/8"	RG	22	14	64	\$2.71	\$38.00
80219	CN825R	1"	R	24	14	64	\$2.86	\$40.00
80220	CN825RG	1"	RG	24	14	64	\$4.64	\$65.00
80221	CN827R	1-1/8"	R	26	14	54	\$3.57	\$50.00
80223	CN832	1-1/4"	-	28	14	48	\$3.93	\$55.00
80224	CN832RC	1-1/4"	RC	28	14	48	\$4.21	\$59.00
80225	CN832R	1-1/4"	R	28	14	48	\$4.21	\$59.00
80226	CN832RG	1-1/4"	RG	28	14	48	\$6.00	\$84.00
80233	CN835R	1-3/8"	R	31	14	48	\$4.57	\$64.00
80239	CN838	1-1/2"	-	34	14	40	\$4.14	\$58.00
80241	CN838R	1-1/2"	R	34	14	40	\$4.43	\$62.00
80242	CN838RG	1-1/2"	RG	34	14	40	\$6.29	\$88.00
80242L	CNB838RG	1-1/2"	RGHL	29	3M * 4COILS	36	\$7.67	\$92.00
80255	CN845	1-3/4"	-	39	14	40	\$4.29	\$60.00
80256	CN845G	1-3/4"	G	39	14	40	\$6.00	\$84.00
80257	CN845R	1-3/4"	R	39	14	40	\$4.86	\$68.00
80258	CN845RG	1-3/4"	RG	39	14	40	\$6.57	\$92.00
80259	CN845S	1-3/4"	S	39	14	40	\$4.86	\$68.00
80260	CN845SG	1-3/4"	SG	39	14	40	\$6.57	\$92.00
80261	CN845RGC	1-3/4"	RGC	39	14	40	\$6.57	\$92.00
80262	CN845SC	1-3/4"	SC	39	14	40	\$4.86	\$68.00
80263	CN845SGC	1-3/4"	SGC	39	14	40	\$6.57	\$92.00
80265	CN8540R	2"	R	44	14	32	\$5.14	\$72.00
80266	CN850RG	2"	RG	44	14	32	\$6.86	\$96.00
80267	CN850S	2"	S	44	14	32	\$5.14	\$72.00
80268	CN850SG	2"	SG	44	14	32	\$6.86	\$96.00

R = RING ; S = SCREW ; G = ELECTRO-GALV ; C = CHISEL
H = HARDENED ; MG = MECHANICAL GALV. ; HL = HI-LOAD

****Stainless steel available on special order. Please call for quote and availability****

COIL NAILS

15 Degree Flat Wound Coil Nails

Use with the following UNICATCH tools: N57, N57-PP & N70 Coil Nailer

Interchangeable with: Senco, Bostitch, Hitachi, Atro, Max, Fasco, Porter-Cable & Paslode

ITEM#	DESC.	LENGTH	SHANK TYPE	WT/CTN (LBS)	M/CTN	PLT Q'TY (BY CARTONS)	LIST PRICE	
							PER/M	PER/CTN
Shank Diameter - .086"								
80464L	CNB862S	1-1/4"	SHL	26	3M * 4COILS	45	\$7.83	\$94.00
80466	CN868	1-1/2"	-	38	14	35	\$4.43	\$62.00
80469	CN868RG	1-1/2"	RG	38	14	35	\$6.57	\$92.00
80470	CN868S	1-1/2"	S	38	14	35	\$4.86	\$68.00
80473	CN868SC	1-1/2"	SC	38	14	35	\$4.86	\$68.00
80474	CN848R	1-3/4"	R	44	14	35	\$5.14	\$72.00
80476	CN848S	1-3/4"	S	44	14	35	\$5.14	\$72.00
80480	CN848SC	1-3/4"	SC	44	14	35	\$5.14	\$72.00
80482	CN860S	2"	S	50	14	28	\$5.43	\$76.00
80486	CN860SC	2"	SC	50	14	28	\$5.43	\$76.00
Shank Diameter - .090"								
80297	CN938RG	1-1/2"	RG	35	12	35	\$7.00	\$84.00
80297L	CNB938RG	1-1/2"	RGHL	35	3M * 4COILS	36	\$8.33	\$100.00
80312	CN945R	1-3/4"	R	31	9	48	\$7.33	\$66.00
80313	CN945RG	1-3/4"	RG	31	9	48	\$7.78	\$70.00
80314	CN945S	1-3/4"	S	31	9	48	\$7.33	\$66.00
80309	CN945SC	1-3/4"	SC	31	9	48	\$7.33	\$66.00
80423	CN948RG	1-7/8"	RG	33	9	40	\$6.78	\$61.00
80318	CN950	2"	-	35	9	40	\$7.33	\$66.00
80319	CN950G	2"	G	35	9	40	\$8.22	\$74.00
80320	CN950R	2"	R	35	9	40	\$7.67	\$69.00
80321	CN950RG	2"	RG	35	9	40	\$8.89	\$80.00
80322	CN950S	2"	S	35	9	40	\$7.67	\$69.00
80324	CN950SC	2"	SC	35	9	40	\$7.67	\$69.00
80055	CN955G	2-3/16"	G	36	9	40	\$8.44	\$76.00
80056	CN955R	2-3/16"	R	36	9	40	\$8.00	\$72.00
80057	CN955RG	2-3/16"	RG	36	9	40	\$9.22	\$83.00
80237	CN957G	2-1/4"	G	37	9	40	\$8.78	\$79.00
80064	CN957R	2-1/4"	R	37	9	40	\$8.22	\$74.00
80065	CN957RG	2-1/4"	RG	37	9	40	\$9.78	\$88.00
80332	CN957S	2-1/4"	S	37	9	40	\$8.22	\$74.00
80343	CN965G	2-1/2"	G	43	9	40	\$9.33	\$84.00
80344	CN965R	2-1/2"	R	43	9	40	\$8.67	\$78.00
80345	CN965RG	2-1/2"	RG	43	9	40	\$10.00	\$90.00

****Stainless steel available on special order. Please call for quote and availability****

COIL NAILS

15 Degree Flat Wound Coil Nails

Use with the following UNICATCH tools: N57-PP, N70 & N70PAL Coil Nailer

Interchangeable with: Senco, Bostitch, Hitachi, Atro, Max, Fasco, Porter-Cable & Paslode

ITEM#	DESC.	LENGTH	SHANK TYPE	WT/CTN (LBS)	M/CTN	PLT Q'TY (BY CARTONS)	LIST PRICE PER/M	PER/CTN
Shank Diameter - .099"								
80069	CN32R	1-1/4"	R	26	9	56	\$6.22	\$56.00
80067	CN45	1-3/4"	-	35	9	42	\$7.11	\$64.00
80071	CN45R	1-3/4"	R	35	9	42	\$7.56	\$68.00
80073	CN45SC	1-3/4"	SC	35	9	42	\$7.56	\$68.00
80073L	CNB45SC	1-3/4"	SCHL	35	3M * 3COILS	45	\$8.89	\$80.00
80074	CN45S	1-3/4"	S	35	9	42	\$7.56	\$68.00
80074L	CNB45S	1-3/4"	SHL	35	3M * 3COILS	45	\$8.89	\$80.00
80076	CN45RG	1-3/4"	RG	35	9	42	\$9.33	\$84.00
80078	CN50	2"	-	42	9	42	\$6.48	\$68.00
80079	CN50G	2"	G	42	9	42	\$8.20	\$82.00
80080	CN50R	2"	R	42	9	42	\$8.00	\$72.00
80081	CN50RG	2"	RG	42	9	42	\$9.44	\$85.00
80082	CN50S	2"	S	42	9	42	\$8.00	\$72.00
80083	CN50SG	2"	SG	42	9	42	\$9.44	\$85.00
80084	CN50SC	2"	SC	42	9	42	\$8.00	\$72.00
80086	CNB50S	2"	SHL	45	3M * 3COILS	45	\$9.22	\$83.00
80094	CNB50SC	2"	SCHL	45	3M * 3COILS	45	\$9.22	\$83.00
80087	CN57	2-1/4"	-	47	9	35	\$8.00	\$72.00
80088	CN57G	2-1/4"	G	47	9	35	\$9.56	\$86.00
80089	CN57R	2-1/4"	R	47	9	35	\$8.44	\$76.00
80090	CN57RG	2-1/4"	RG	47	9	35	\$9.78	\$88.00
80091	CN57S	2-1/4"	S	47	9	35	\$8.44	\$76.00
80092	CN57SG	2-1/4"	SG	47	9	35	\$9.78	\$88.00
80095	CNB57S	2-1/4"	SHL	49	3M * 3COILS	36	\$9.33	\$84.00
80095C	CNB57SC	2-1/4"	SCHL	49	3M * 3COILS	36	\$9.33	\$84.00
80098	CN60R	2-3/8"	R	49	9	35	\$8.67	\$78.00
80099	CN60RG	2-3/8"	RG	49	9	35	\$10.00	\$90.00
80103	CN64	2-1/2"	-	54	9	35	\$8.67	\$78.00
80105	CN64R	2-1/2"	R	54	9	35	\$9.33	\$84.00
80106	CN64RG	2-1/2"	RG	54	9	35	\$10.67	\$96.00
80107	CN64S	2-1/2"	S	54	9	35	\$9.33	\$84.00
80107L	CNB64S	2-1/2"	SHL	54	3M * 3COILS	36	\$10.33	\$93.00
80397	CN64SC	2-1/2"	SC	54	9	35	\$9.33	\$84.00
80412	CN38H	1-1/2"	H	41	12	35	\$8.17	\$98.00

****Stainless steel available on special order. Please call for quote and availability****

COIL NAILS

15 Degree Flat Wound Coil Nails

Use with the following UNICATCH tools: N70, N70PAL & N80 Coil Nailer

Interchangeable with: Senco, Bostitch, Hitachi, Atro, Max, Fasco, Porter-Cable & Paslode

ITEM#	DESC.	LENGTH	SHANK TYPE	WT/CTN (LBS)	M/CTN	PLT Q'TY (BY CARTONS)	LIST PRICE	
							PER/M	PER/CTN
Shank Diameter - .105"								
80085	CNB550S	2"	SHL	50	3M * 3COILS	45	\$10.00	\$90.00
80096	CNB557S	2-1/4"	SHL	54	3M * 3COILS	36	\$10.67	\$96.00
80096C	CNB557SC	2-1/4"	SCHL	54	3M * 3COILS	36	\$10.67	\$96.00
80109	CN570S	3"	S	40	5	42	\$12.80	\$64.00
Shank Diameter - .113"								
80121	CN150	2"	-	45	7.5	35	\$9.60	\$72.00
80110	CN150SC	2"	SC	45	7.5	35	\$10.13	\$76.00
80120	CNB150SC	2"	SCHL	53	3M * 3COILS	36	\$10.89	\$98.00
80112	CN157R	2-1/4"	R	51	7.5	35	\$10.40	\$78.00
80112L	CNB157R	2-1/4"	RHL	51	2.5M*3COILS	36	\$11.73	\$88.00
80114L	CNB157S	2-1/4"	SHL	51	2.5M*3COILS	36	\$11.73	\$88.00
80115	CN157SC	2-1/4"	SC	51	7.5	35	\$10.40	\$78.00
80123	CN160	2-3/8"	-	53	7.5	35	\$10.67	\$80.00
80124	CN160G	2-3/8"	G	53	7.5	35	\$12.80	\$96.00
80125	CN160R	2-3/8"	R	53	7.5	35	\$11.33	\$85.00
80126	CN160RG	2-3/8"	RG	53	7.5	35	\$13.33	\$100.00
80130	CN165G	2-1/2"	G	38	5	42	\$14.00	\$70.00
80139	CN170S	2-3/4"	S	43	5	35	\$14.40	\$72.00
80140	CN170SC	2-3/4"	SC	43	5	35	\$14.40	\$72.00
80145	CN171S	3"	S	45	5	35	\$16.40	\$82.00
80430	CN138H	1-1/2"	H	37	7.5	49	\$10.67	\$80.00

R = RING ; S = SCREW ; G = ELECTRO-GALV ; C = CHISEL
H = HARDENED ; MG = MECHANICAL GALV. ; HL = HI-LOAD

****Stainless steel available on special order. Please call for quote and availability****

COIL NAILS

15 Degree Flat Wound Coil Nails

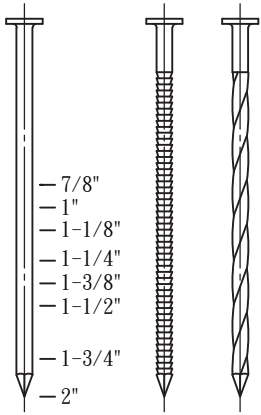
Use with the following UNICATCH tools: N70, N80 & N100 Coil Nailer

Interchangeable with: Senco, Bostitch, Hitachi, Atro, Max, Fasco, Porter-Cable & Paslode

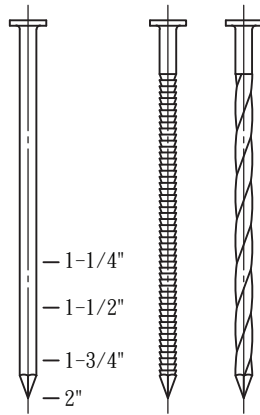
ITEM#	DESC.	LENGTH	SHANK TYPE	WT/CTN (LBS)	M/CTN	PLT Q'TY (BY CARTONS)	LIST PRICE	
							PER/M	PER/CTN
Shank Diameter - .120"								
80148	CN757R	2-1/4"	R	33	4.5	48	\$12.22	\$55.00
80151	CN270	2-3/4"	-	40	4.5	35	\$13.33	\$60.00
80153	CN70	3"	-	45	4.5	35	\$14.44	\$65.00
80154	CN70G	3"	G	45	4.5	35	\$17.33	\$78.00
80155	CN70R	3"	R	45	4.5	35	\$15.56	\$70.00
80156	CN70RG	3"	RG	45	4.5	35	\$18.22	\$82.00
80157	CN70S	3"	S	45	4.5	35	\$15.56	\$70.00
80157L	CNB70S	3"	SHL	45	2250*2COILS	45	\$16.89	\$76.00
80158	CN70SC	3"	SC	45	4.5	35	\$15.56	\$70.00
80161	CN74	3-1/4"	-	49	4.5	35	\$15.56	\$70.00
80165	CN74S	3-1/4"	S	49	4.5	35	\$16.89	\$76.00
80166	CN74SG	3-1/4"	SG	49	4.5	35	\$18.89	\$85.00
80173	CN280S	3-1/2"	S	52	4.5	28	\$18.22	\$82.00
80175	CN112S	4"	S	58	4.5	28	\$19.11	\$86.00
Shank Diameter - .131"								
80177	CN364	2-1/2"	-	41	4	42	\$17.25	\$69.00
80184	CNB360	2-1/2"	HL	43	2M*2 COILS	45	\$18.50	\$74.00
80178	CN364G	2-1/2"	G	41	4	42	\$19.50	\$78.00
80179	CN364R	2-1/2"	R	41	4	42	\$18.50	\$74.00
80180	CN364RG	2-1/2"	RG	41	4	42	\$20.50	\$82.00
80185	CN71	3"	-	50	4	35	\$21.00	\$84.00
80186	CN71G	3"	G	50	4	35	\$23.50	\$94.00
80193	CN75	3-1/4"	-	54	4	35	\$21.75	\$87.00
80194	CN75G	3-1/4"	G	54	4	35	\$24.50	\$98.00
80195	CN75R	3-1/4"	R	54	4	35	\$23.00	\$92.00
80197	CN75S	3-1/4"	S	54	4	35	\$23.00	\$92.00
80205	CN80S	3-1/2"	S	57	4	35	\$24.00	\$96.00
80208	CN100S	4"	S	46	3	35	\$28.00	\$84.00
Shank Diameter - .148"								
80572	CN578	2-1/4"	-	56	4.8	36	\$17.08	\$82.00
80575	CN608	2-3/8"	-	35	3	48	\$19.33	\$58.00
80578	CN648	2-1/2"	-	37	3	48	\$20.67	\$62.00
80584	CN768	3"	-	44	3	40	\$23.00	\$69.00

****Stainless steel available on special order. Please call for quote and availability****

.083"

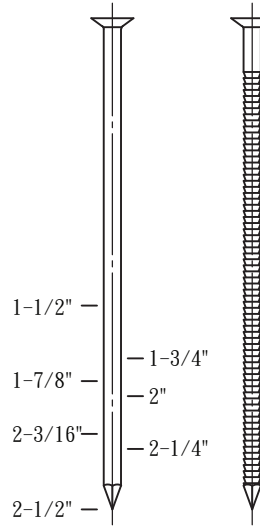


.086"

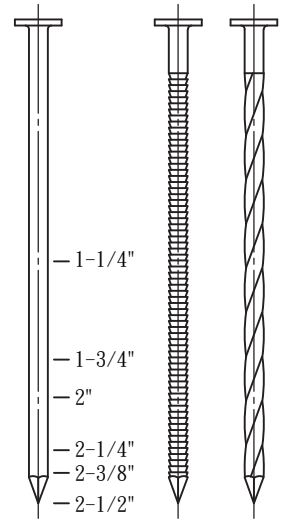


Actual Size

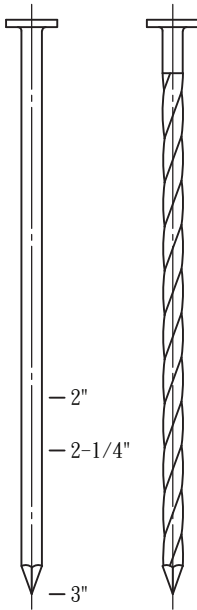
.090"



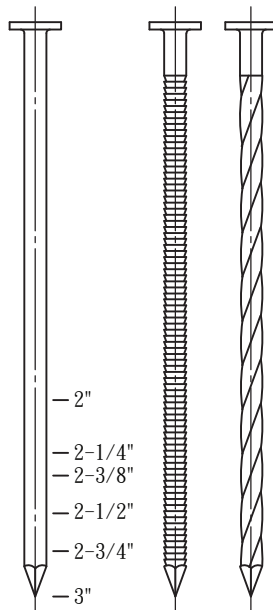
.099"



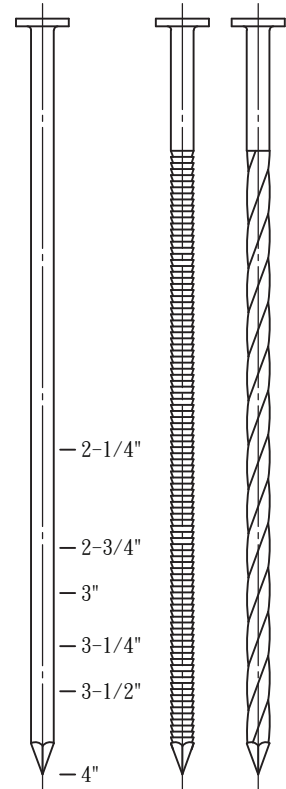
.105"



.113"



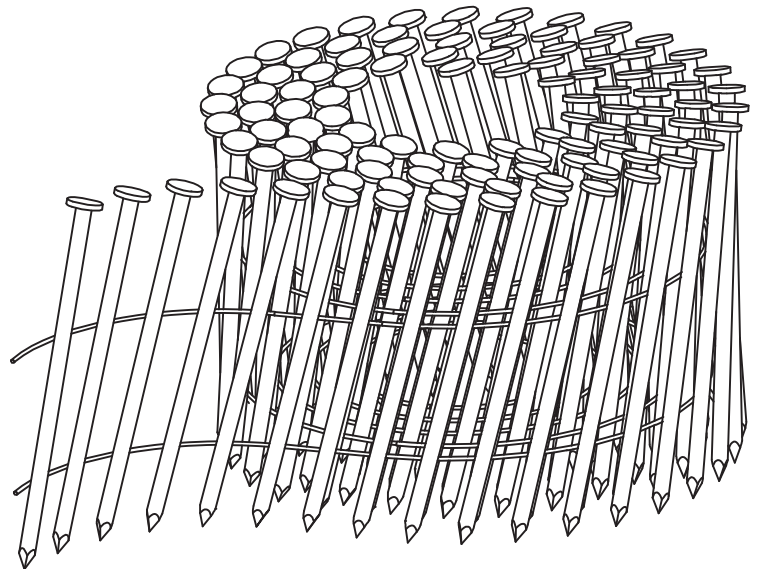
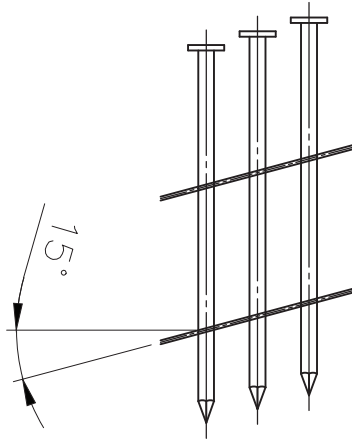
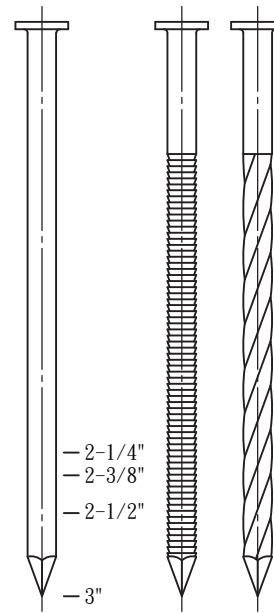
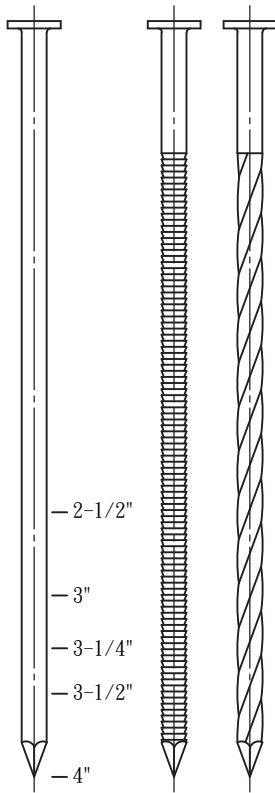
.120"



.131"

Actual Size

.148"

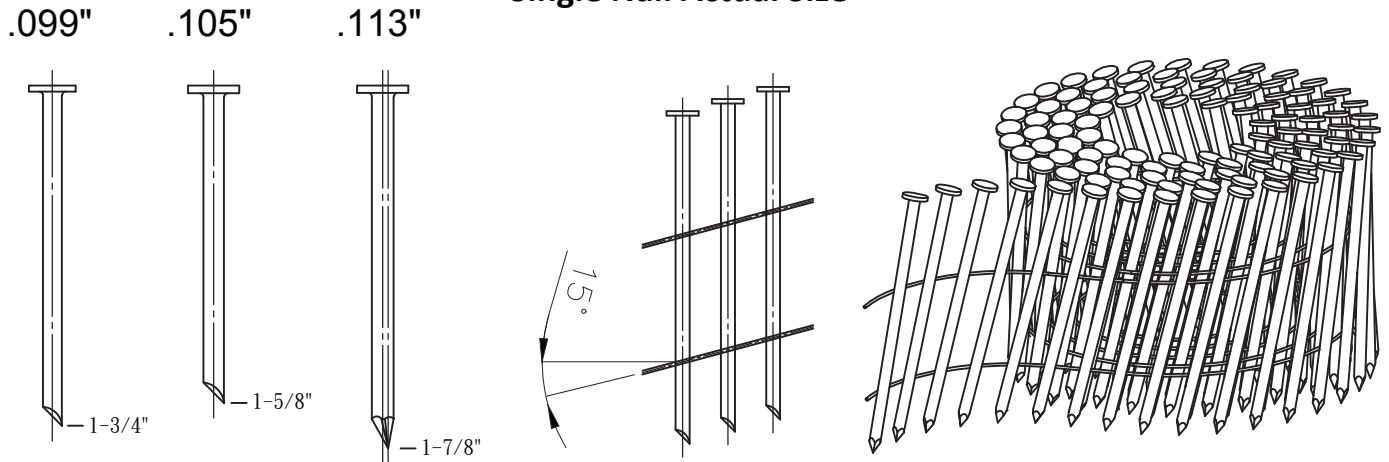


COIL CLINCH NAILS & BULK DRYWALL NAILS

15 Degree Flat Wound Coil Clinch Nails

ITEM#	SHANK DIA.	LENGTH	Style	WT/CTN (LBS)	M/CTN	PLT Q'TY (BY CARTONS)	LIST PRICE	
							PER/M	PER/CTN
80684	.105"	1-5/8"	Clinch	40	9	48	\$2.56	\$23.00
80685	.099"	1-3/4"	Clinch	37	9	42	\$2.78	\$25.00
80688	.113"	1-7/8"	Clinch	43	7.5	42	\$3.60	\$27.00

Single Nail Actual Size

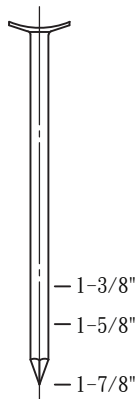


Bulk Drywall Nail

ITEM#	DESC.	SHANK DIA.	LENGTH	WT/CTN (LBS)	PLT Q'TY (BY CARTONS)	LIST PRICE
						PER/CTN
81501B	DWB35	.095"	1-3/8"	50	48	\$70.00
81505B	DWB42	.095"	1-5/8"	50	48	\$70.00
81510B	DWB48	.095"	1-7/8"	50	48	\$70.00

.095"

Actual Size



R = RING ; S = SCREW ; G = ELECTRO-GALV ; C = CHISEL
 H = HARDENED ; MG = MECHANICAL GALV. ; HL = HI-LOAD

****Stainless steel available on special order. Please call for quote and availability****

PAPER TAPE FRAMING NAILS

34 Degree Paper Collated Clipped Head Framing Nails

Interchangeable with: Senco SN Series, Paslode Impulse Series & others

ITEM#	DESC.	LENGTH	SHANK TYPE	WT/CTN (LBS)	M/CTN	PLT Q'TY (BY CARTONS)	LIST PRICE	
							PER/M	PER/CTN
Shank Diameter - .113"								
80834	FSN50	2"	-	18	2.5	180	\$13.20	\$33.00
80835	FSN50G	2"	G	18	2.5	180	\$15.20	\$38.00
80836	FSN50R	2"	R	18	2.5	180	\$13.60	\$34.00
80837	FSN50RG	2"	RG	18	2.5	180	\$15.60	\$39.00
80850	FSN60	2-3/8"	-	20	2.5	160	\$13.60	\$34.00
80851	FSN60G	2-3/8"	G	20	2.5	160	\$15.60	\$39.00
80852	FSN60R	2-3/8"	R	20	2.5	160	\$14.00	\$35.00
80853	FSN60RG	2-3/8"	RG	20	2.5	160	\$16.00	\$40.00
Shank Diameter - .120"								
80913	FSN70	3"	-	28	2.5	100	\$15.60	\$39.00
80915	FSN70R	3"	R	28	2.5	100	\$16.40	\$41.00
80916	FSN70RG	3"	G	28	2.5	100	\$18.00	\$45.00
80921	FSN74	3-1/4"	-	30	2.5	100	\$16.40	\$41.00
80922	FSN74G	3-1/4"	G	30	2.5	100	\$18.00	\$45.00
80923	FSN74R	3-1/4"	R	30	2.5	100	\$16.80	\$42.00
Shank Diameter - .131"								
81018	FSN71	3"	-	31	2.5	85	\$18.40	\$46.00
81019	FSN71G	3"	G	31	2.5	85	\$20.00	\$50.00
81020	FSN71R	3"	R	31	2.5	85	\$18.80	\$47.00
81021	FSN71RG	3"	RG	31	2.5	85	\$24.00	\$60.00
81026	FSN75	3-1/4"	-	35	2.5	85	\$19.60	\$49.00
81027	FSN75G	3-1/4"	G	35	2.5	85	\$22.00	\$55.00
81034	FSN80	3-1/2"	-	37	2.5	68	\$20.00	\$50.00
81035	FSN80G	3-1/2"	G	37	2.5	68	\$24.00	\$60.00

R = RING ; S = SCREW ; G = ELECTRO-GALV ; C = CHISEL
H = HARDENED ; MG = MECHANICAL GALV. ; HL = HI-LOAD

****Stainless steel available on special order. Please call for quote and availability****

PLASTIC COLLATED FRAMING NAILS

21 Degree Plastic Collated Round Head Framing Nail - ICC Approved

Use with the following UNICATCH tools: UNS90-21

Interchangeable with: Duo-Fast CN137 & CN350, Fasco F5C-RHN20-9, Hitachi NR83A & NR90A

ITEM#	DESC.	LENGTH	SHANK TYPE	WT/CTN (LBS)	M/CTN	PLT Q'TY (BY CARTONS)	LIST PRICE	
							PER/M	PER/CTN
Shank Diameter - .113"								
83657	RHN50	2"	-	31	5	80	\$10.00	\$50.00
83658	RHN50G	2"	G	31	5	80	\$12.00	\$60.00
83659	RHN50R	2"	R	31	5	80	\$11.00	\$55.00
83660	RHN50RG	2"	RG	31	5	80	\$12.80	\$64.00
83665	RHN53	2-1/8"	-	32	5	80	\$11.60	\$58.00
83673	RHN57	2-1/4"	-	34	5	80	\$11.70	\$58.50
83674	RHN57G	2-1/4"	-	34	5	80	\$12.80	\$64.00
83681	RHN60	2-3/8"	-	36	5	64	\$11.80	\$59.00
83682	RHN60G	2-3/8"	G	36	5	64	\$13.60	\$68.00
83683	RHN60R	2-3/8"	R	36	5	64	\$12.40	\$62.00
83684	RHN60RG	2-3/8"	RG	36	5	64	\$14.20	\$71.00
83685	RHN60S	2-3/8"	S	36	5	64	\$12.40	\$62.00
83687	RHN60MG	2-3/8"	MG	36	5	64	\$16.40	\$82.00
83689	RHN64	2-1/2"	-	38	5	64	\$12.40	\$62.00
83690	RHN64G	2-1/2"	G	38	5	64	\$14.60	\$73.00
83691	RHN64R	2-1/2"	R	38	5	64	\$13.60	\$68.00
83692	RHN64RG	2-1/2"	RG	38	5	64	\$15.20	\$76.00
Shank Diameter - .120"								
83801	RHN260	2-3/8"	-	39	4	48	\$13.75	\$55.00
83810	RHN70	3"	-	41	4	48	\$14.50	\$58.00
83811	RHN70G	3"	G	41	4	48	\$17.00	\$68.00
83812	RHN70R	3"	R	41	4	48	\$15.50	\$62.00
83813	RHN70RG	3"	RG	41	4	48	\$17.75	\$71.00
83814	RHN70S	3"	S	41	4	48	\$15.50	\$62.00
83815	RHN70SG	3"	SG	41	4	48	\$17.75	\$71.00
83816	RHN70MG	3"	MG	41	4	48	\$19.50	\$78.00
83818	RHN74	3-1/4"	-	43	4	48	\$16.00	\$64.00
83819	RHN74G	3-1/4"	G	43	4	48	\$17.75	\$71.00
83820	RHN74R	3-1/4"	R	43	4	48	\$17.00	\$68.00
83821	RHN74RG	3-1/4"	RG	43	4	48	\$18.50	\$74.00
83822	RHN74S	3-1/4"	S	43	4	48	\$17.00	\$68.00

R = RING ; S = SCREW ; G = ELECTRO-GALV ; C = CHISEL
H = HARDENED ; MG = MECHANICAL GALV. ; HL = HI-LOAD

****Stainless steel available on special order. Please call for quote and availability****

PLASTIC COLLATED FRAMING NAILS

21 Degree Plastic Collated Round Head Framing Nail - ICC Approved

Use with the following UNICATCH tools: UNS90-21

Interchangeable with: Duo-Fast CN137 & CN350, Fasco F5C-RHN20-9, Hitachi NR83A & NR90A

ITEM#	DESC.	LENGTH	SHANK TYPE	WT/CTN (LBS)	M/CTN	PLT Q'TY (BY CARTONS)	LIST PRICE	
							PER/M	PER/CTN
Shank Diameter - .131"								
83853	RHN364	2-1/2"	-	41	4	48	\$14.50	\$58.00
83854	RHN364G	2-1/2"	G	41	4	48	\$17.00	\$68.00
83869	RHN71	3"	-	48	4	48	\$15.75	\$63.00
83870	RHN71G	3"	G	48	4	48	\$18.50	\$74.00
83871	RHN71R	3"	R	48	4	48	\$17.00	\$68.00
83872	RHN71RG	3"	RG	48	4	48	\$19.50	\$78.00
83873	RHN71S	3"	S	48	4	48	\$17.00	\$68.00
83875	RHN71MG	3"	MG	48	4	48	\$21.00	\$84.00
83880	RHN75	3-1/4"	-	52	4	48	\$17.00	\$68.00
83881	RHN75G	3-1/4"	G	52	4	48	\$19.75	\$79.00
83883	RHN75RG	3-1/4"	RG	52	4	48	\$20.50	\$82.00
83884	RHN75S	3-1/4"	S	52	4	48	\$18.00	\$72.00
83885	RHN75SG	3-1/4"	SG	52	4	48	\$20.50	\$82.00
83886	RHN75MG	3-1/4"	MG	52	4	48	\$23.50	\$94.00
83888	RHN80	3-1/2"	-	56	4	48	\$18.25	\$73.00
83889	RHN80G	3-1/2"	G	56	4	48	\$21.00	\$84.00

Shank Diameter - .148"

83906	RHN56	2-1/8"	-	44	4	48	\$15.75	\$63.00
83912	RHN59	2-1/4"	-	46	4	48	\$17.25	\$69.00
83914	RHN59R	2-1/4"	R	46	4	48	\$18.00	\$72.00
83918	RHN63	2-3/8"	-	48	4	48	\$19.50	\$78.00
83919	RHN63G	2-3/8"	G	48	4	48	\$22.00	\$88.00
83920	RHN63R	2-3/8"	R	48	4	48	\$20.50	\$82.00
83922	RHN64	2-1/2"	-	48	4	48	\$21.00	\$84.00
83936	RHN72	3"	-	46	3	50	\$22.00	\$66.00
83942	RHN76	3-1/4"	-	50	3	50	\$23.33	\$70.00
83948	RHN100	4"	-	42	1.5	50	\$30.00	\$45.00

Shank Diameter - .162"

84002	RHN83	3-1/2"	-	63	3	48	\$26.67	\$80.00
-------	-------	--------	---	----	---	----	---------	---------

R = RING ; S = SCREW ; G = ELECTRO-GALV ; C = CHISEL
H = HARDENED ; MG = MECHANICAL GALV. ; HL = HI-LOAD

****Stainless steel available on special order. Please call for quote and availability****

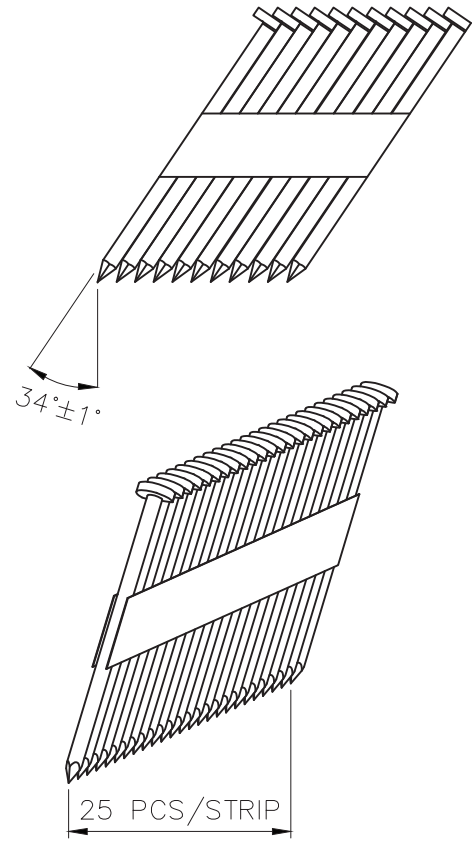
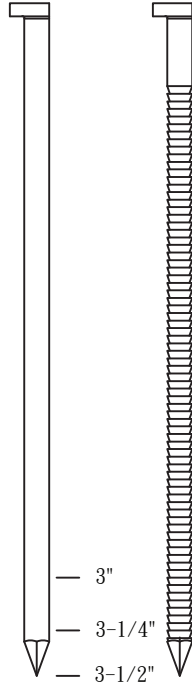
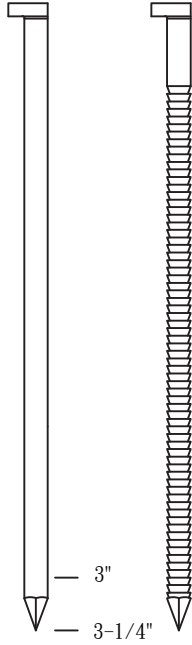
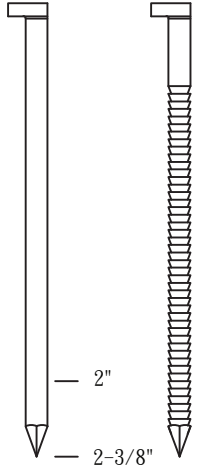
PAPER TAPE FRAMING NAILS

Single Nail Actual Size

.113"

.120"

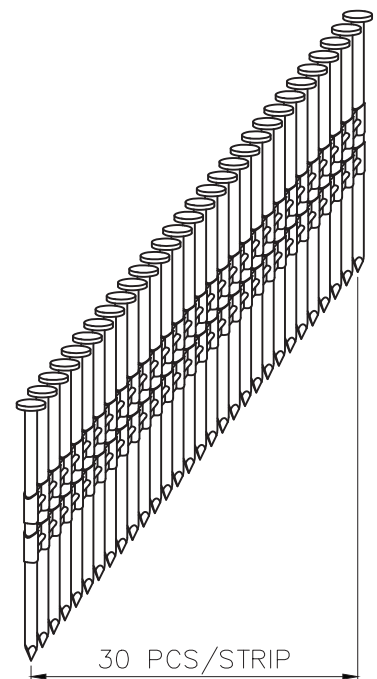
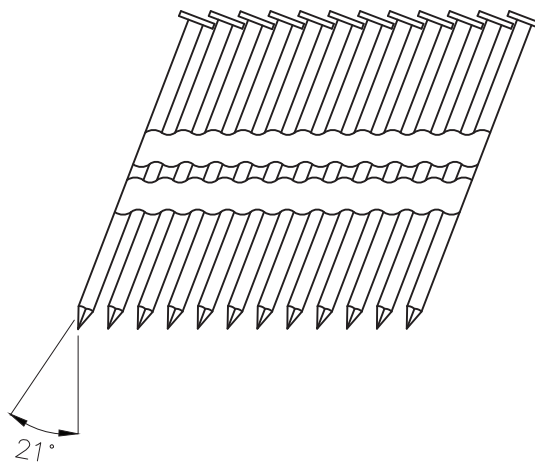
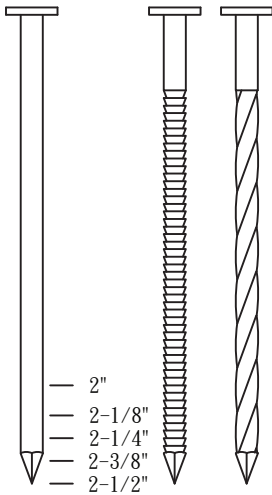
.131"



PLASTIC COLLATED FRAMING NAILS

Single Nail Actual Size

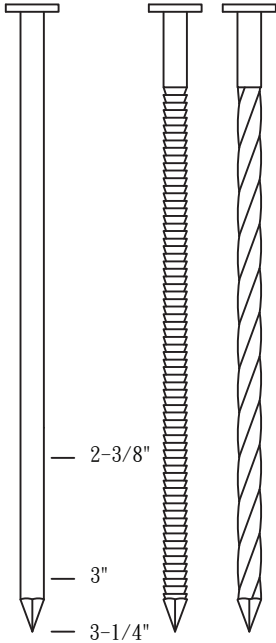
.113"



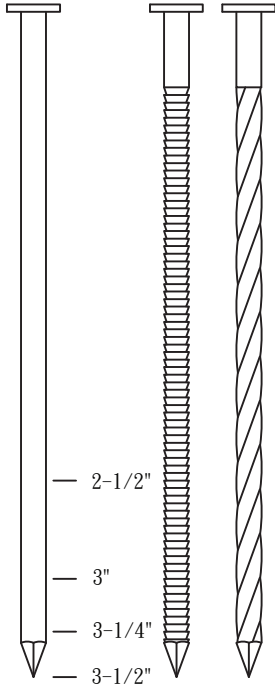
PLASTIC COLLATED FRAMING NAILS

Single Nail Actual Size

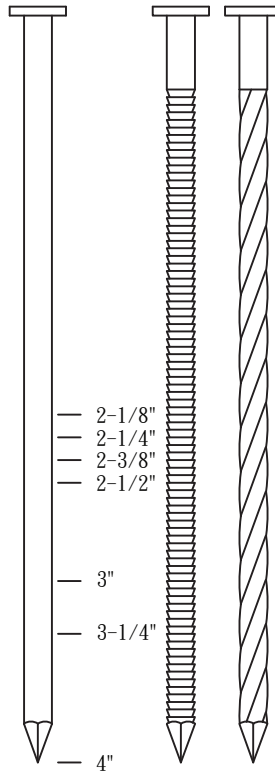
.120"



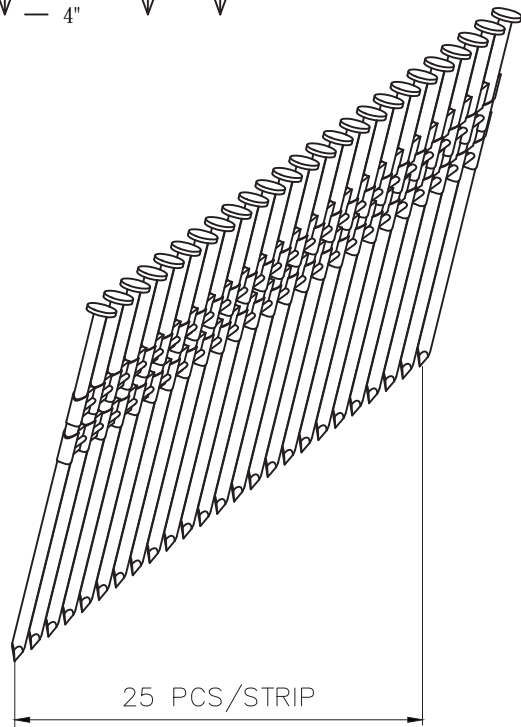
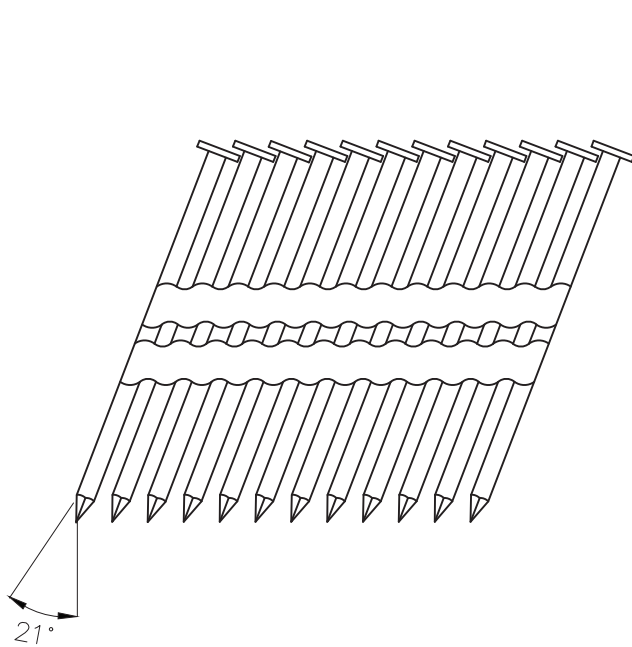
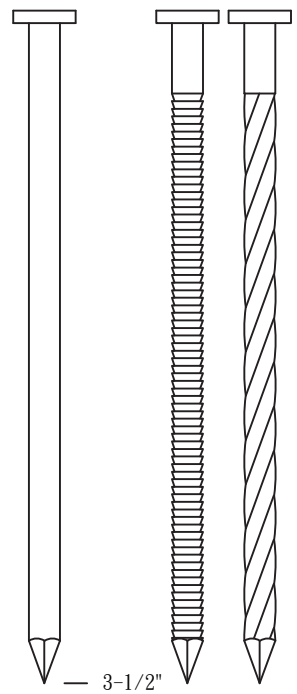
.131"



.148"



.162"



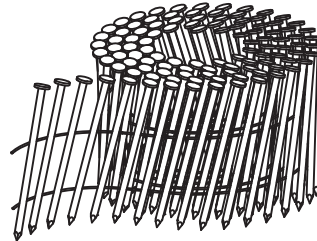
UNICATCH TOOLS

ITEM#	MFGS#	DESC.	WT/EA (LBS)	CTN Q'TY (BY CARTONS)	LIST PRICE
Coil Nailer & Framing Nailer					
88701	N57	2-1/4" Flat Wnd. Coil Nailer (.083"~.092")	5.84	3	\$380.00
88702	N57PP	2-1/4" Flat Wnd. Coil Nailer (.090"~.113")	5.94	3	\$420.00
88703	N70	2-3/4" Flat Wnd. Coil Nailer (.090"~.113")	7.88	3	\$475.00
88703PAL	N70PAL	2-3/4" Flat Wnd. Highload Coil Nailer (.090"~.113")	6.20	3	\$475.00
88704	N80	3-1/4" Flat Wnd. Coil Nailer (.099"~.131")	8.68	3	\$520.00
88705	N100	4" Flat Wnd. Coil Nailer (.099"~.135")	11.88	2	\$600.00
88667	UNCR45	15 Degree Coil Roofing Nailer	5.80	4	\$530.00
Stapler & Carton Closing Stapler					
88707	SN50	16GA, Med. Crown Stapler (N) (1"~2" Leg)	5.10	3	\$400.00
88708	SP40	16GA, Wide Crown Stapler (P) - (3/4"~1-1/4" Leg)	5.50	3	\$400.00
88765	CF-15S	1" Crown Corrugated Stapler (W)	5.60	5	\$500.00
88879	USC1634M	Manual Carton Closing Stapler, C-Type	3.74	5	\$210.00
88884	USC1634C	Pneumatic Carton Closing Stapler, C-Type	4.50	5	\$390.00
88883	USC1678M	7/8" Manual Carton Closing Stapler, C-Type	4.62	5	\$290.00
88886	USC1678C	7/8" Pneumatic Carton Closing Stapler, C-Type	4.60	5	\$490.00
88880	USC1634MA	Manual Carton Closing Stapler, A-Type	3.74	5	\$210.00
88885	USC1634A	Pneumatic Carton Closing Stapler, A-Type	4.50	5	\$390.00
Fine Wire Stapler					
88806	USC71/16	22GA, 3/8" Crown Stapler	2.23	5	\$120.00
88807	USC71/16L	22GA, 3/8" Crown Stapler, Long Nose	2.40	5	\$130.00
88803	USCA71/16L	22GA, 3/8" Crown Stapler, Auto Long Nose	2.00	10	\$220.00
88804	USCA71/16	22GA, 3/8" Crown Stapler, Auto	2.00	10	\$200.00
88805	USCAL71/16	22GA, 3/8" Crown Stapler, Auto Long Magazine	2.51	10	\$240.00
88811	USAT80/16	21GA, 1/2" Crown Stapler	2.23	5	\$120.00
88812	USAT80/16L	21GA, 1/2" Crown Stapler, Long Nose	2.40	5	\$130.00
88825	USF95/16	20GA, 1/2" Crown Stapler	2.23	5	\$130.00
Other Tools					
88741	UA-11	20GA, 7/16" Crown Hammer Tacker	2.07	10	\$60.00
88743	UD5000	50 Series Hammer Tacker	2.07	10	\$60.00
88746	UA-19	23GA, 7/16" Crown Hammer Tacker	0.90	20	\$50.00
88748	CP7500	CARPET PRO 7500 TACKER	2.31	10	\$75.00
88584	UP0635	23GA Micro Pinner	2.20	10	\$190.00

****Spare parts are available at L.A. facility. Please call for price and availability****

COIL NAILER

Model: N57



APPLICABLE FASTENER SIZE

Shank Dia.: .083"~.092"

Head Dia.: .197"~.236"

Length: 1" ~ 2-1/4"

Shank Type: Smooth/Ring/
Screw

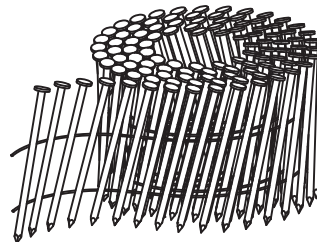
APPLICATIONS:

Wood pallet, drums, crating,
general construction incl.
siding, decking, panel sheathing
and framing.

TOOL SPECIFICATION

Weight:	Dimensions:	Load Capacity:	Operating Pressure:
5.9lbs / 2.69kgs	11.13 x 5.13 x 10.6" 283 x 131 x 270mm	300 ~ 350 nails	70~100 psi (5~7 bar) Do not exceed 120 psi

Model: N57PP



APPLICABLE FASTENER SIZE

Shank Dia.: .092"~.113"

Head Dia.: .224"~.275"

Length: 1" ~ 2-1/4"

Shank Type: Smooth/Ring/
Screw

APPLICATIONS:

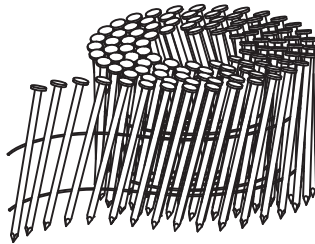
Wood pallet, drums, crating,
general construction incl.
siding, decking, panel sheathing
and framing.

TOOL SPECIFICATION

Weight:	Dimensions:	Load Capacity:	Operating Pressure:
5.9lbs / 2.69kgs	11.56 x 5.19 x 10.56" 294 x 132 x 268mm	250 ~ 300 nails	70~100 psi (5~7 bar) Do not exceed 120 psi

COIL NAILER

Model: N70



APPLICABLE FASTENER SIZE

Shank Dia.: .090"~.113"
 Head Dia.: .224"~.275"
 Length: 1-3/4" ~ 2-3/4"
 Shank Type: Smooth/Ring/
 Screw

APPLICATIONS:

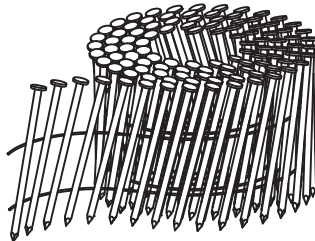
Wood pallet, drums, crating,
 general construction incl.
 siding, decking, panel sheathing
 and framing.

TOOL SPECIFICATION

Weight:	Dimensions:	Load Capacity:	Operating Pressure:
7.9lbs / 3.61kgs	12.44 x 5 x 12.06" 315 x 128 x 270mm	250 ~ 300 nails	70~100 psi (5~7 bar) Do not exceed 120 psi

Model: N70PAL

*Large Coil Pallet Machine



APPLICABLE FASTENER SIZE

Shank Dia.: .090"~.113"
 Head Dia.: .224"~.275"
 Length: 1-3/4" ~ 2-3/4"
 Shank Type: Smooth/Ring/
 Screw

APPLICATIONS:

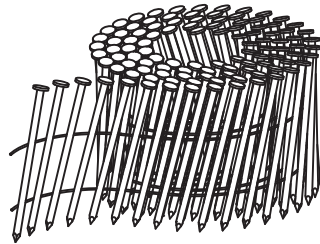
Wood pallet, drums, crating,
 general construction incl.
 siding, decking, panel sheathing
 and framing.

TOOL SPECIFICATION

Weight:	Dimensions:	Load Capacity:	Operating Pressure:
6.2lbs / 2.8kgs	12.44 x 5 x 12.06" 315 x 128 x 270mm	2500+ nails	70~100 psi (5~7 bar) Do not exceed 120 psi

COIL NAILER

Model: N80



APPLICABLE FASTENER SIZE

Shank Dia.: .099"~.131"

Head Dia.: .230"~.295"

Length: 2" ~ 3-1/4"

Shank Type: Smooth/Ring/
Screw

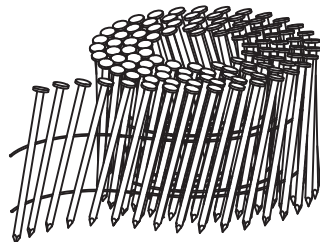
APPLICATIONS:

Wood pallet, drums, crating,
general construction incl.
siding, decking, panel sheathing
and framing.

TOOL SPECIFICATION

Weight:	Dimensions:	Load Capacity:	Operating Pressure:
8.7lbs / 3.96kgs	14.25 x 5 x 12.13" 362 x 128 x 307mm	200 ~ 300 nails	70~100 psi (5~7 bar) Do not exceed 120 psi

Model: N100



APPLICABLE FASTENER SIZE

Shank Dia.: .099"~.135"

Head Dia.: .256"~.295"

Length: 2-1/2" ~ 4"

Shank Type: Smooth/Ring/
Screw

APPLICATIONS:

Wood pallet, drums, crating,
general construction incl.
siding, decking, panel sheathing
and framing.

TOOL SPECIFICATION

Weight:	Dimensions:	Load Capacity:	Operating Pressure:
12.1lbs / 5.5kgs	16.38 x 6.13 x 13.38" 417 x 156 x 338mm	200 ~ 300 nails	70~100 psi (5~7 bar) Do not exceed 120 psi

COIL ROOFING NAILER

Model: UNCR45

APPLICABLE FASTENER SIZE

Shank Dia.: .120"

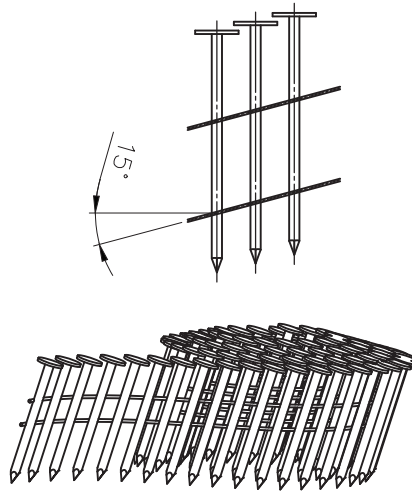
Head Dia.: .335"

Length: 7/8" ~ 1-3/4"

Shank Type: Smooth/Ring

APPLICATIONS:

Asphale & fiberglass, shingles, siding, construction paper, metal drip edges, insulated sheathing, upholstery panels.

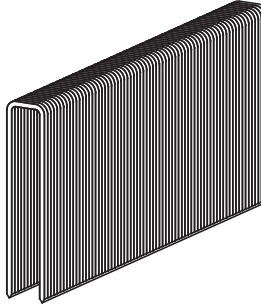


TOOL SPECIFICATION

Weight:	Dimensions:	Load Capacity:	Operating Pressure:
6.16lbs / 2.8kgs	10.5 x 4.5 x 11" 267 x 114 x 279MM	120 nails	70~100 psi (5~7 bar) Do not exceed 120 psi

INDUSTRIAL STAPLER

Model: SN50



APPLICABLE FASTENER SIZE

Shank Dia.: 16/17 Ga.

Crown Size: 7/16"

Length: 1" ~ 2"

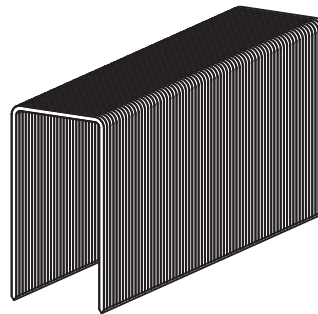
APPLICATIONS:

Sheathing, subflooring, roof decking, furniture frames, pallets, crate and box assembly, vinyl siding.

TOOL SPECIFICATION

Weight:	Dimensions:	Load Capacity:	Operating Pressure:
5.1lbs / 2.3kgs	10.7 x 3.7 x 14.3" 272 x 94 x 363mm	160 staples	70~100 psi (5~7 bar) Do not exceed 120 psi

Model: SP40



APPLICABLE FASTENER SIZE

Shank Dia.: 16 Ga.

Crown Size: 1"

Length: 3/4" ~ 1-1/4"

APPLICATIONS:

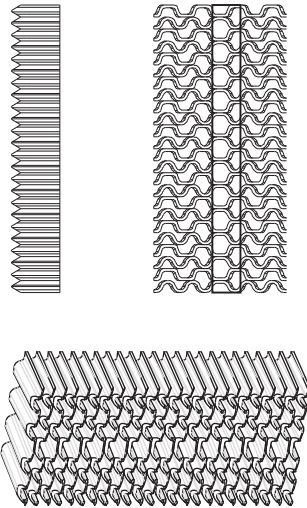
Sheathing, subflooring, roof decking, furniture frames, pallets, crate and box assembly, vinyl siding.

TOOL SPECIFICATION

Weight:	Dimensions:	Load Capacity:	Operating Pressure:
5.5lbs / 2.5kgs	9.8 x 3.7 x 14.3" 251 x 94 x 363mm	160 staples	70~100 psi (5~7 bar) Do not exceed 120 psi

CORRUGATED STAPLER

Model: CF-15S



APPLICABLE FASTENER SIZE

Shank Thick: 2.2mm
Crown Size: 1"
Length: 3/8" ~ 5/8"

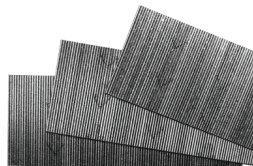
APPLICATIONS:
 Picture/mirror/door and window frames assembly.

TOOL SPECIFICATION

Weight:	Dimensions:	Load Capacity:	Operating Pressure:
5.3lbs / 2.4kgs	10.6 x 3.6 x 11.8" 270 x 92 x 300mm	80 staples	100 psi (7 bar) Do not exceed 120 psi

Micro Pinner

Model: UP0635



APPLICABLE FASTENER SIZE

Shank Dia.: 23 Ga.
Length: 1/2" ~ 1-3/8"

APPLICATIONS:
 Upholstery, light trim & molding, roofing, cabinetry, insulation felt.

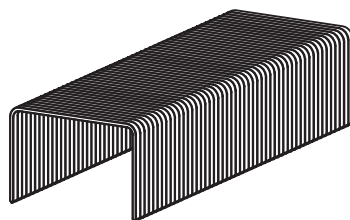
TOOL SPECIFICATION

Weight:	Dimensions:	Load Capacity:	Operating Pressure:
1.79lbs / 0.81kgs	7.09 x 2.36 x 7.68" 180 x 60 x 195mm	100 pins	70~100 psi (5~7 bar)

CARTON CLOSING STAPLER

Model: USC1634MA

Model: USC1634M



APPLICABLE FASTENER SIZE

Shank Dia.: 16 Ga.

Crown Size: A-Type: 1-3/8"
C-Type: 1-1/4"

Length: 5/8" ~ 3/4"

APPLICATIONS:

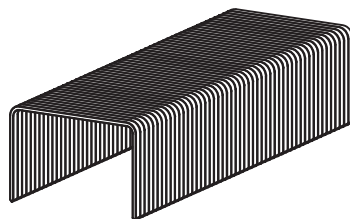
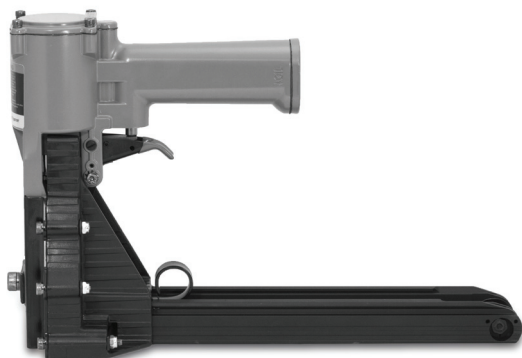
Cardboard box packaging.

TOOL SPECIFICATION

Weight:	Dimensions:	Load Capacity:	Operating Pressure:
3.75lbs / 1.7kgs	11.5 x 4.53 x 14.25" 293 x 115 x 363mm	100 staples	By hand

Model: USC1634CA

Model: USC1634C



APPLICABLE FASTENER SIZE

Shank Dia.: 16 Ga.

Crown Size: A-Type: 1-3/8"
C-Type: 1-1/4"

Length: 5/8" ~ 3/4"

APPLICATIONS:

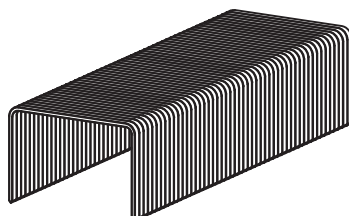
Cardboard box packaging.

TOOL SPECIFICATION

Weight:	Dimensions:	Load Capacity:	Operating Pressure:
4.74lbs / 2.15kgs	8.66 x 4.53 x 13.25" 220 x 115 x 336mm	100 staples	70~100 psi (5~7 bar)

CARTON CLOSING STAPLER

Model: USC1678M



APPLICABLE FASTENER SIZE

Shank Dia.: 16 Ga.

Crown Size: C-Type: 1-1/4"

Length: 7/8"

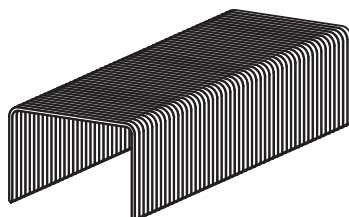
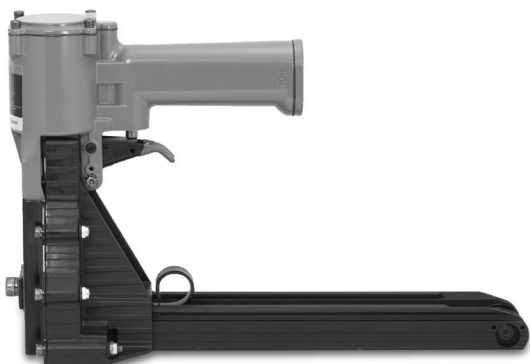
APPLICATIONS:

Cardboard box packaging.

TOOL SPECIFICATION

Weight:	Dimensions:	Load Capacity:	Operating Pressure:
3.75lbs / 1.7kgs	11.5 x 4.53 x 14.25" 293 x 115 x 363mm	100 staples	By hand

Model: USC1678C



APPLICABLE FASTENER SIZE

Shank Dia.: 16 Ga.

Crown Size: C-Type: 1-1/4"

Length: 7/8"

APPLICATIONS:

Cardboard box packaging.

TOOL SPECIFICATION

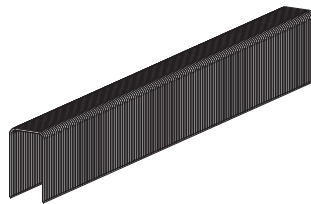
Weight:	Dimensions:	Load Capacity:	Operating Pressure:
4.74lbs / 2.15kgs	8.66 x 4.53 x 13.25" 220 x 115 x 336mm	100 staples	70~100 psi (5~7 bar)

FINE WIRE STAPLER

Model: USC71/16L



Model: USC71/16



APPLICABLE FASTENER SIZE

Shank Dia.: 22 Ga.

Crown Size: 3/8"

Length: 5/32" ~ 5/8"

APPLICATIONS:

Furniture & cabinet assembly, light trim, panelling & molding, furniture upholstery, carpet & padding, footwear, mirror & picture frame assembly.

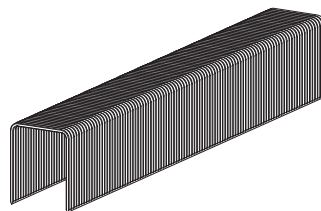
TOOL SPECIFICATION

Weight:	Dimensions:	Load Capacity:	Operating Pressure:
2.25lbs / 1.02kgs	5.98 x 1.81 x 8.94" 152 x 46 x 227mm	178 staples	70~100 psi (5~7 bar)

Model: USAT80/16L



Model: USAT80/16



APPLICABLE FASTENER SIZE

Shank Dia.: 21 Ga.

Crown Size: 1/2"

Length: 1/4" ~ 5/8"

APPLICATIONS:

Furniture & cabinet assembly, light trim, panelling & molding, furniture upholstery, carpet & padding, footwear, mirror & picture frame assembly.

TOOL SPECIFICATION

Weight:	Dimensions:	Load Capacity:	Operating Pressure:
2.25lbs / 1.02kgs	5.98 x 1.81 x 8.94" 152 x 46 x 227mm	150 staples	70~100 psi (5~7 bar)

FINE WIRE STAPLER

Model: USCA71/16



Model: USCA71/16L



Model: USCAL71/16



APPLICABLE FASTENER SIZE

Shank Dia.: 22 Ga.

Crown Size: 3/8"

Length: 5/32" ~ 5/8"

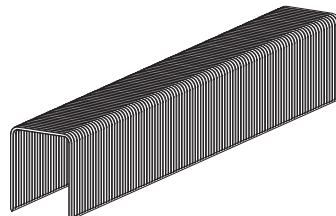
APPLICATIONS:

Furniture & cabinet assembly, light trim, panelling & molding, furniture upholstery, carpet & padding, footwear, mirror & picture frame assembly.

TOOL SPECIFICATION

Weight:	Dimensions:	Load Capacity:	Operating Pressure:
1.96lbs / 0.89kgs-Basic 2.01lbs / 0.91kgs-L Nose 2.52lbs / 1.14kgs-L Mag.	5.51 x 1.57 x 8.66" 140 x 40 x 220mm	178 staples	70~100 psi (5~7 bar)

Model: USF95/16



APPLICABLE FASTENER SIZE

Shank Dia.: 20 Ga.

Crown Size: 1/2"

Length: 1/4" ~ 5/8"

APPLICATIONS:

Furniture & cabinet assembly, light trim, panelling & molding, furniture upholstery, carpet & padding, footwear, mirror & picture frame assembly.

TOOL SPECIFICATION

Weight:	Dimensions:	Load Capacity:	Operating Pressure:
2.25lbs / 1.02kgs	5.98 x 1.81 x 8.94" 152 x 46 x 227mm	100 staples	70~100 psi (5~7 bar)

HAMMER TACKER

Model: UA-11

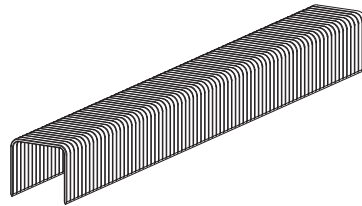


APPLICABLE FASTENER SIZE

Shank Dia.: 20 Ga.

Crown Size: 7/16"

Length: 1/4" ~ 3/8"



APPLICATIONS:

Flooring, insulation, packaging & roofing.

TOOL SPECIFICATION

Weight:	Dimensions:	Load Capacity:	Operating Pressure:
2.06lbs / 0.94kgs	2.05 x 1.77 x 12.01" 52 x 45 x 305mm	168 staples	By hand

Model: UA-19

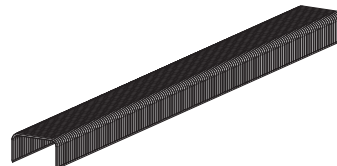


APPLICABLE FASTENER SIZE

Shank Dia.: 23 Ga.

Crown Size: 7/16"

Length: 5/32" ~ 5/16"



APPLICATIONS:

Flooring, insulation, packaging & roofing.

TOOL SPECIFICATION

Weight:	Dimensions:	Load Capacity:	Operating Pressure:
0.88lbs / 0.4kgs	1.63 x 1.13 x 11.2" 40 x 28 x 280mm	168 staples	By hand

HAMMER TACKER

Model: UD5000

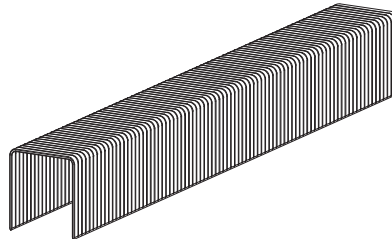


APPLICABLE FASTENER SIZE

Shank Dia.: 20 Ga.

Crown Size: 1/2"

Length: 1/4" ~ 3/8"



APPLICATIONS:

Flooring, insulation, packaging & roofing.

TOOL SPECIFICATION

Weight:	Dimensions:	Load Capacity:	Operating Pressure:
2.13lbs / 0.97kgs	2.05 x 1.77 x 12.01" 52 x 45 x 305mm	168 staples	By hand

Model: CP7500

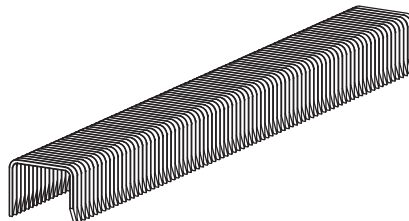


APPLICABLE FASTENER SIZE

Shank Dia.: 19 Ga.

Crown Size: 15/32"

Length: 5/16" ~ 9/16"



APPLICATIONS:

Flooring, insulation, packaging & roofing.

TOOL SPECIFICATION

Weight:	Dimensions:	Load Capacity:	Operating Pressure:
2.23lbs / 1.01kgs	3.25 x 1.5 x 11.5" 83 x 37 x 292mm	168 staples	By hand

TO:

For sales and customer service:

T.C. International, Inc.

13225 Barton Circle

Whittier, CA 90605

Tel: 562-941-1921

Fax: 562-946-6785

Email: sales@tc-intl.com

